

Residential Inverter Heat Pump R32

Indoor Units

RAS-25N4KVPG-ND

RAS-25E2KVPG-ND

RAS-35N4KVPG-ND

RAS-35E2KVPG-ND

Outdoor Units



RAS-25N4AVPG-ND

RAS-35N4AVPG-ND



Contents

1 Line up.	2
2 Specifications	3
3 Dimension	4
4 Wiring diagram	6
5 Refrigerant cycle diagram	7
6 Air speed distribution	9
7 Sound characteristics (NC Curve)	10
8 Capacity table	12
9 Part load performance	14
10 Performance characteristic	18
11 Accessories	22

1. Line up

Indoor Unit	Outdoor Unit	Model Name		Capacity Rank
		FCU	CDU	
		RAS-25N4KVPG-ND RAS-25E2KVPG-ND	RAS-25N4AVPG-ND	10k
		RAS-35N4KVPG-ND RAS-35E2KVPG-ND	RAS-35N4AVPG-ND	13k

Accessories

	Standard remote controller WH-TA01LE
	Option ; Wireless adapter RB-N103S-G Application Toshiba Home AC control

2. Specifications

System	Size		10k	13k	
	Indoor			RAS-25N4KVPNG-ND	RAS-35N4KVPNG-ND
				RAS-25E2KVPNG-ND	RAS-35E2KVPNG-ND
	Outdoor			RAS-25N4AVPNG-ND	RAS-35N4AVPNG-ND
Power supply (V/Ph/Hz)		220 - 240 / 1 / 50			
Cooling	Capacity (kW)	2.5		3.5	
	Power Consumption (kW)	0.44		0.77	
	EER	5.68		4.55	
	PdesignC (kW)	2.50		3.50	
	SEER	9.00		8.90	
	Indoor Noise (H/L/Q) (dB)	42/24/19		43/25/19	
	Outdoor Noise (dB)	46		48	
	Indoor Air Flow (m ³ /hr)	670		690	
Heating	Capacity (kW)	3.2		4.0	
	Power Consumption (kW)	0.60		0.80	
	COP	5.33		5.00	
	PdesignH (Tbiv -10°C) (kW)	3.00		3.80	
	SCOP	5.30		5.10	
	Indoor Noise (H/L/Q) (dB)	44/24/19		44/25/19	
	Outdoor Noise (dB)	47		49	
	Indoor Air Flow (m ³ /hr)	720		760	
FCU	Dimensions	H x W x D (mm)	293 x 851 x 270		
		Net Weight (kg)	14	14	
CDU	Dimensions	H x W x D (mm)	630 x 800 x 300		
		Net Weight (kg)	43	46	
Pipe	Chargeless (m)	15		15	
	Maximum Length (m)	25		20	
	Maximum Height (m)	15		15	
	Refrigerant	R32			
	Refrigerant amount (kg)	1.1		1.1	
Energy Label	Cooling / Heating	A+++ / A+++		A+++ / A+++	
Useble Range Temperature	Cooling (°C)	Indoor: 21 ~ 32 °C , Outdoor: (-15) ~ 46 °C			
	Heating (°C)	Indoor: 0 ~ 28 °C , Outdoor: (-30) ~ 24 °C			

For performance when each indoor unit is combined with other unit, refer to the separate table.

* The specifications may be subject to change without notice for purpose of improvement.

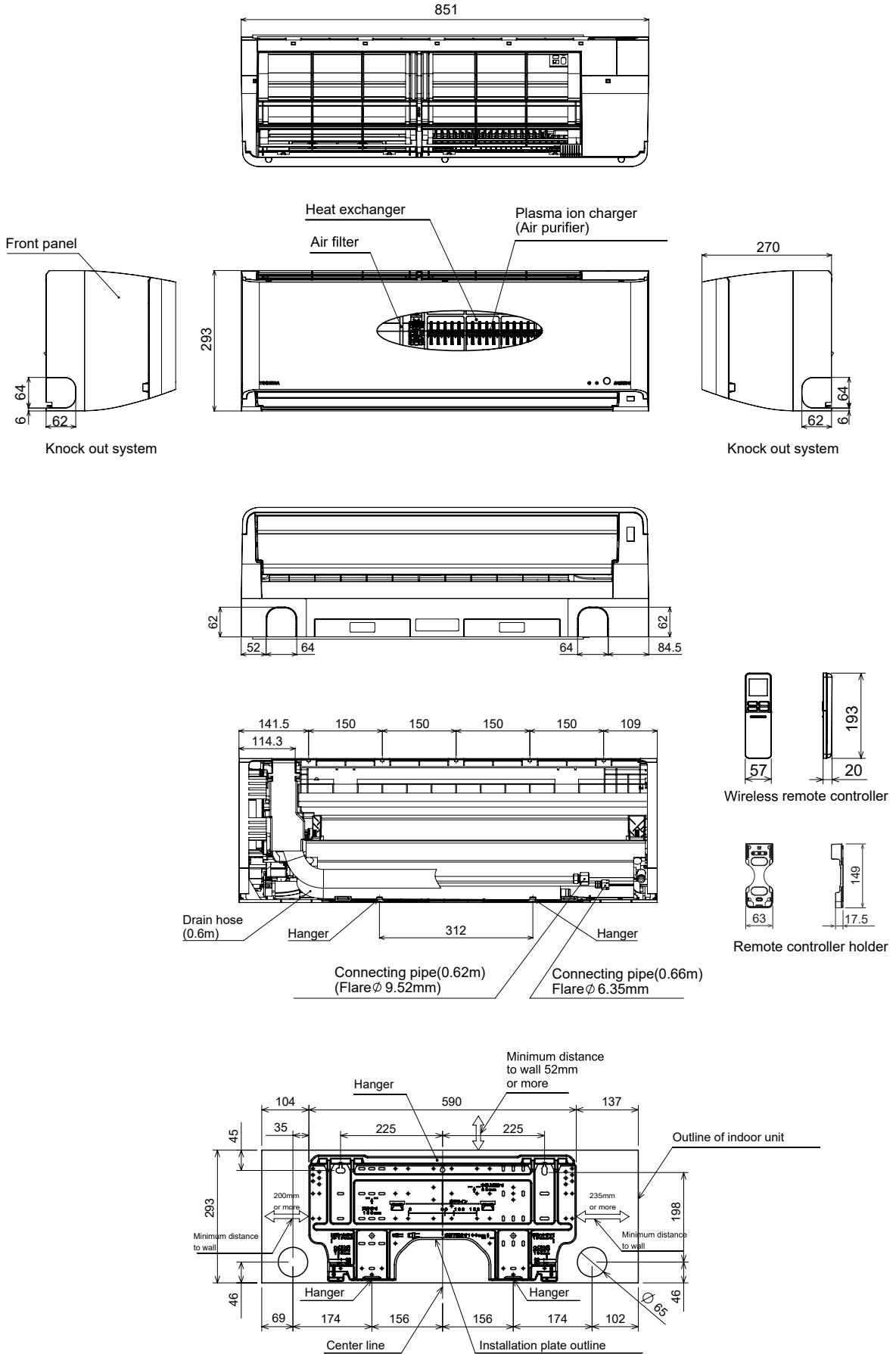
Cooling : Capacity test condition, inside : 27 °C (Db) / 19 °C (Wb), outside : 35 °C (Db) / 24 °C (Wb)

Heating : Capacity test condition, inside : 20 °C (Db), outside : 7 °C (Db) / 6°C (Wb)

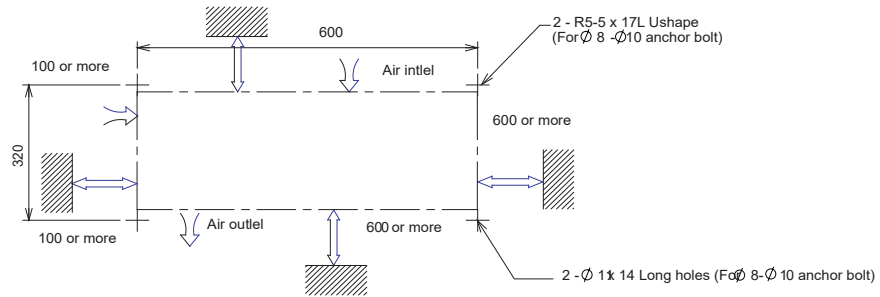
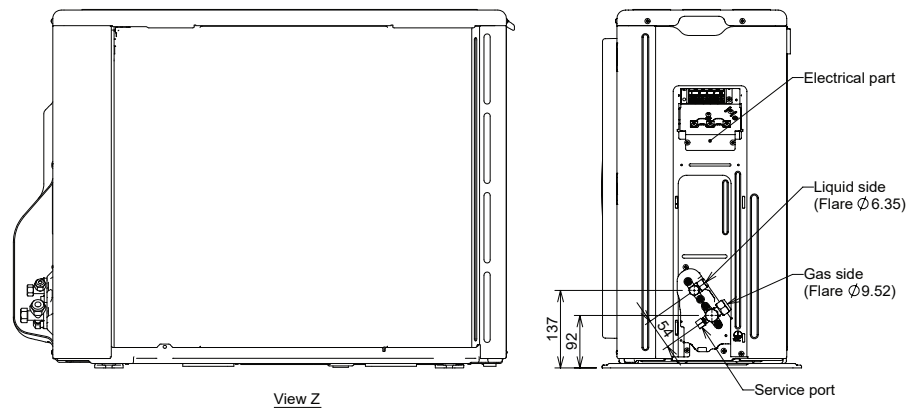
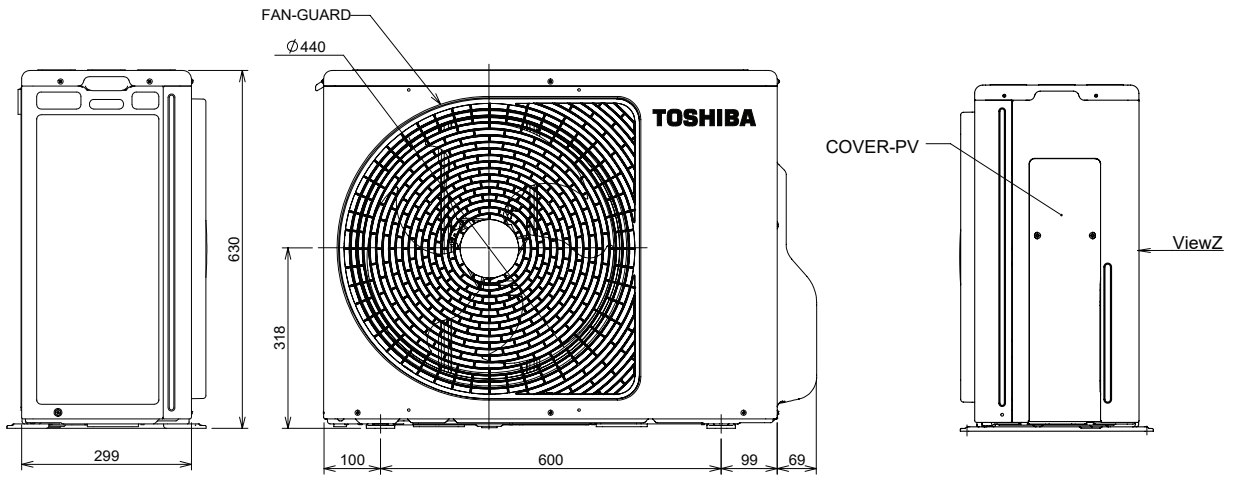
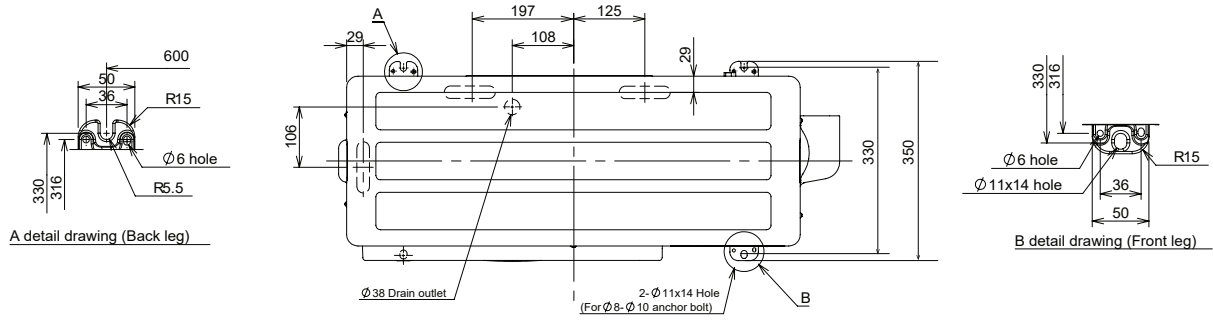
Piping length : 5 m per Indoor Unit.

3. Dimension

Indoor Unit : RAS-25N4KVPD-ND, RAS-25E2KVPD-ND, RAS-35N4KVPD-ND, RAS-35E2KVPD-ND



Outdoor Unit : RAS-25N4AVPG-ND, RAS-35N4AVPG-ND

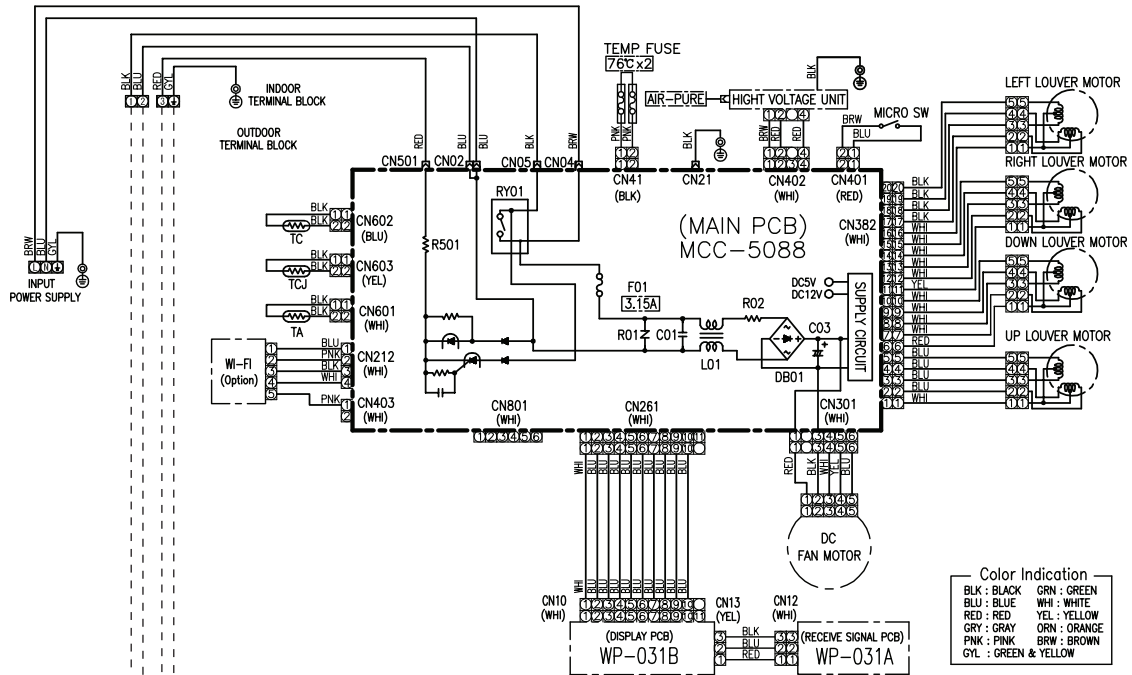


(Unit : mm)

Installation dimension

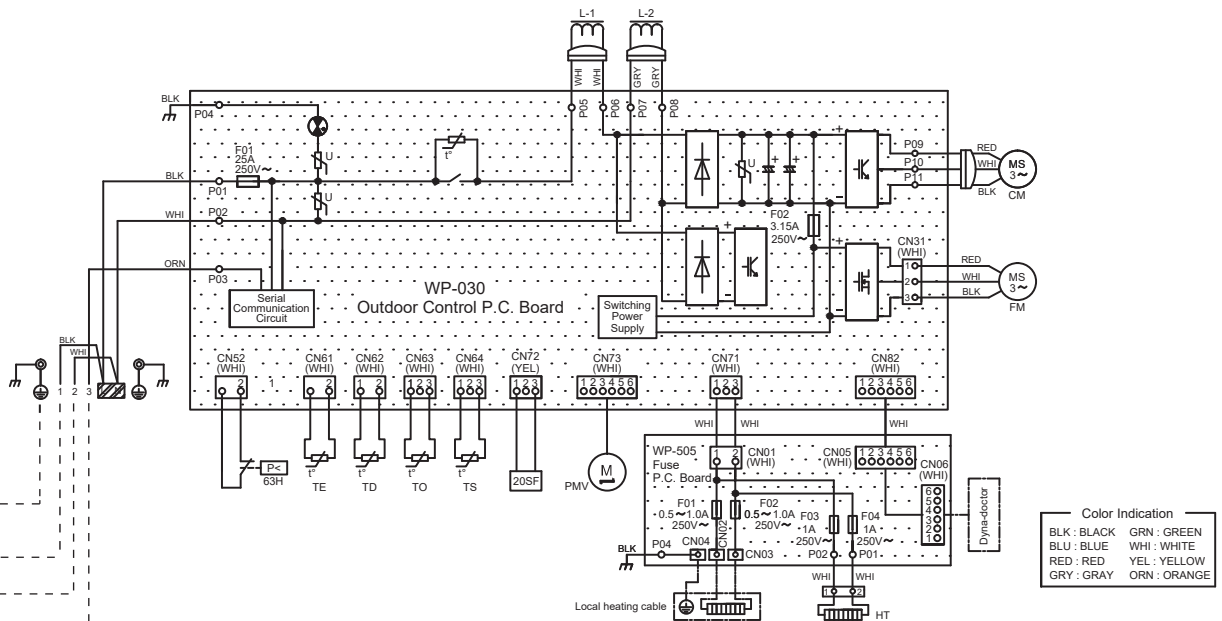
4. Wiring diagrams

RAS-25N4KVPD-ND : RAS-25N4AVPD-ND, RAS-25E2KVPD-ND : RAS-25N4AVPD-ND
 RAS-35N4KVPD-ND : RAS-35N4AVPD-ND, RAS-35E2KVPD-ND : RAS-35N4AVPD-ND



Color Indication

BLK : BLACK	GRN : GREEN
BLU : BLUE	WHI : WHITE
RED : RED	YEL : YELLOW
GRY : GRAY	ORN : ORANGE
PNK : PINK	BRW : BROWN
GYL : GREEN & YELLOW	

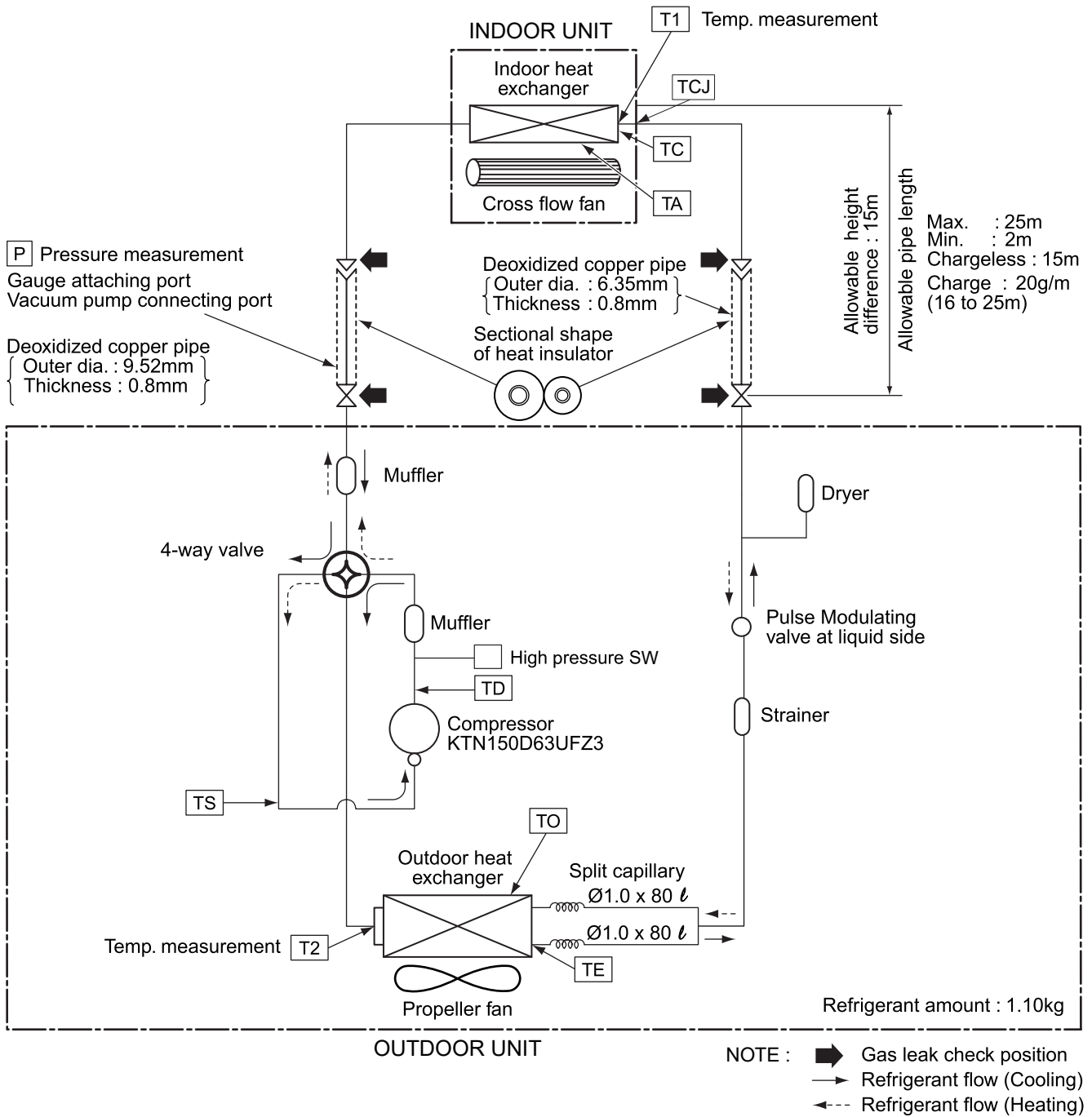


Color Indication

BLK : BLACK	GRN : GREEN
BLU : BLUE	WHI : WHITE
RED : RED	YEL : YELLOW
GRY : GRAY	ORN : ORANGE

5. Refrigerant Cycle Diagram

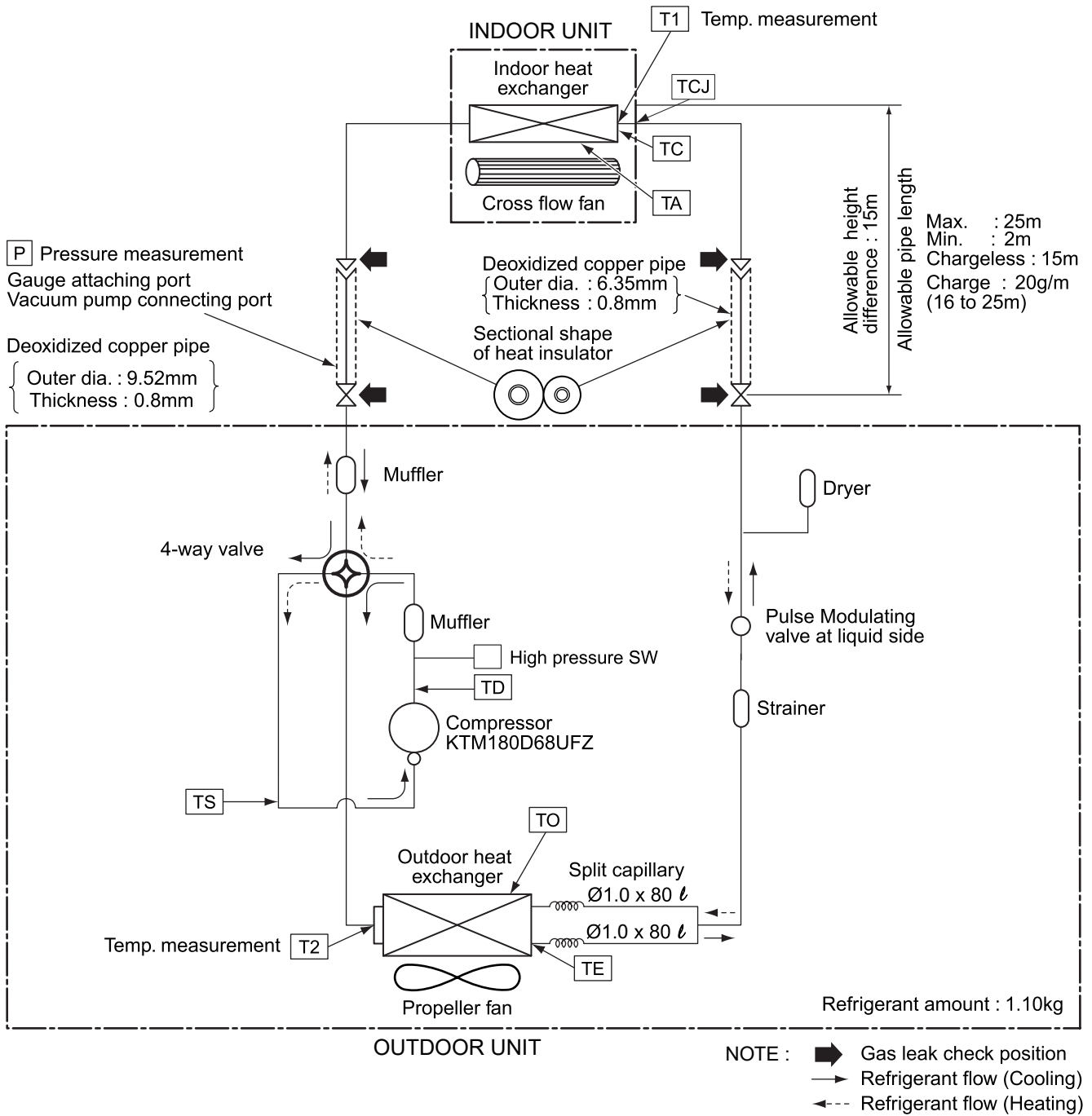
RAS-25E2KVPG-ND, RAS-25N4AVPG-ND



NOTE :

- The maximum pipe length of this air conditioner is 15 m. When the pipe length exceeds 15m, the additional charging of refrigerant, 20g per 1m for the part of pipe exceeded 15m is required. (Max. 100g)

RAS-35N4KVPD-ND, RAS-35E2KVPD-ND



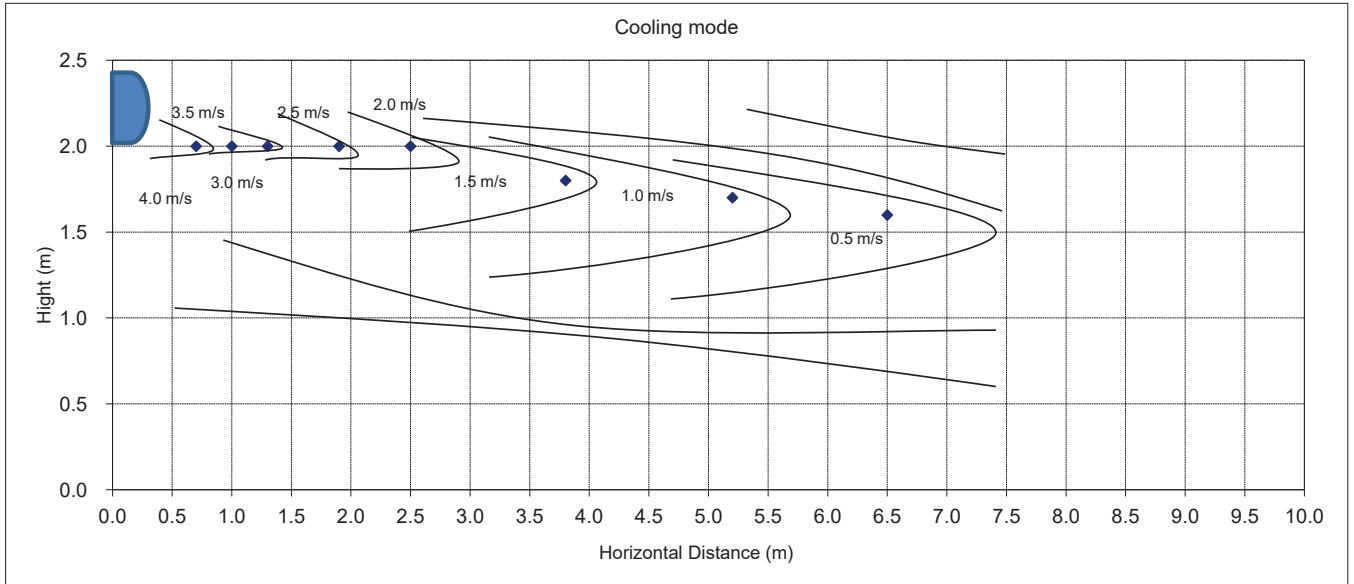
NOTE :

- The maximum pipe length of this air conditioner is 15 m. When the pipe length exceeds 15m, the additional charging of refrigerant, 20g per 1m for the part of pipe exceeded 15m is required. (Max. 100g)

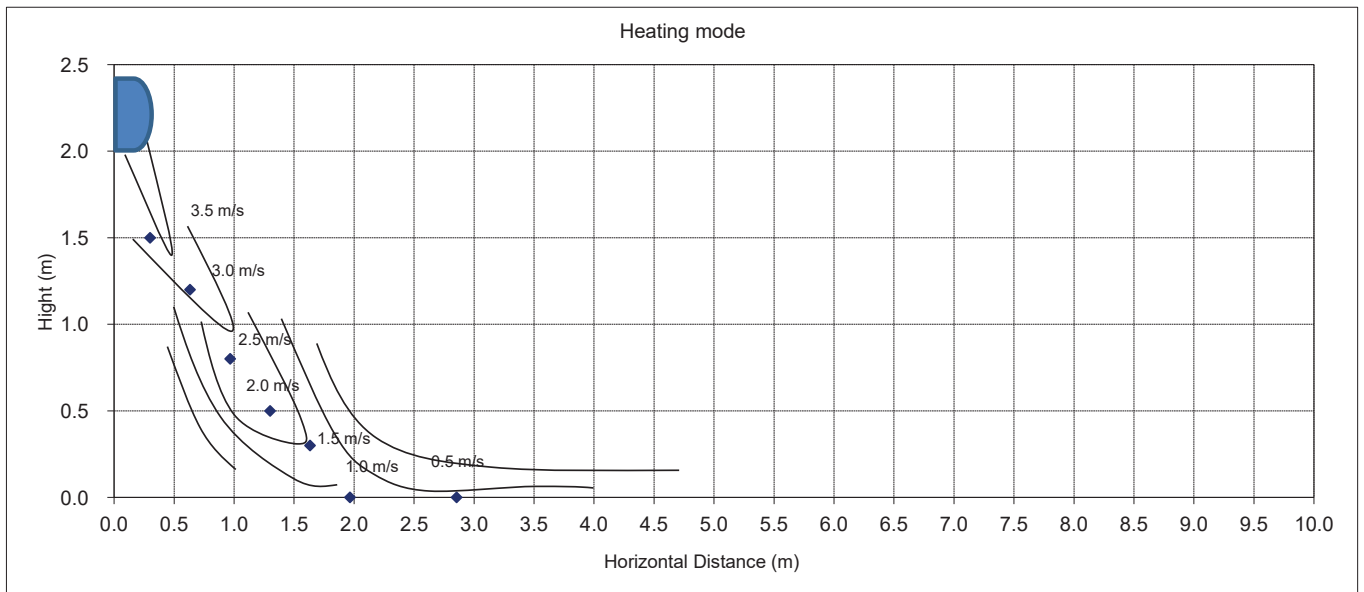
6. Air Speed Distribution

RAS-25N4KVPD-ND, RAS-25E2KVPD-ND, RAS-35N4KVPD-ND, RAS-35E2KVPD-ND

Cooling



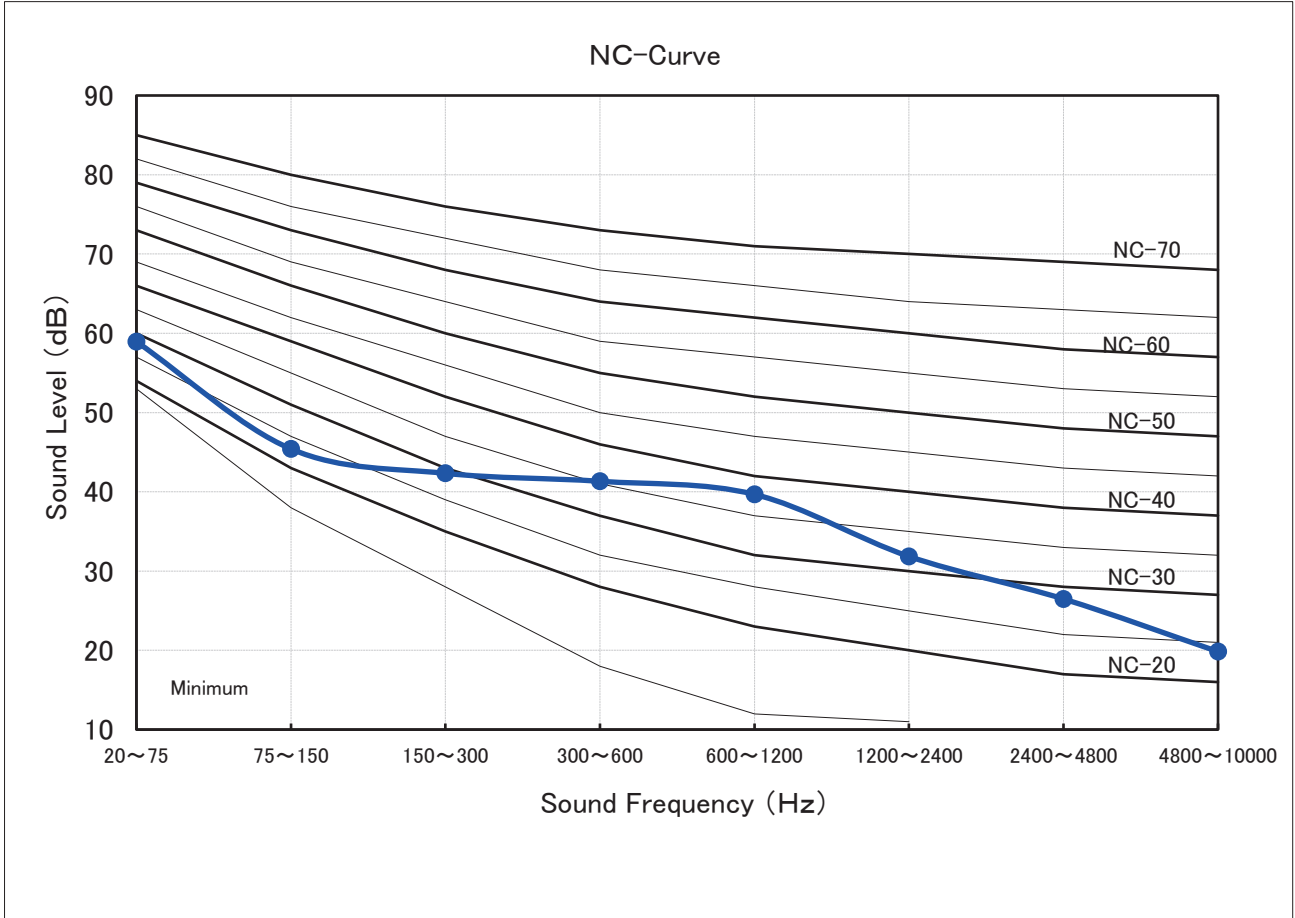
Heating



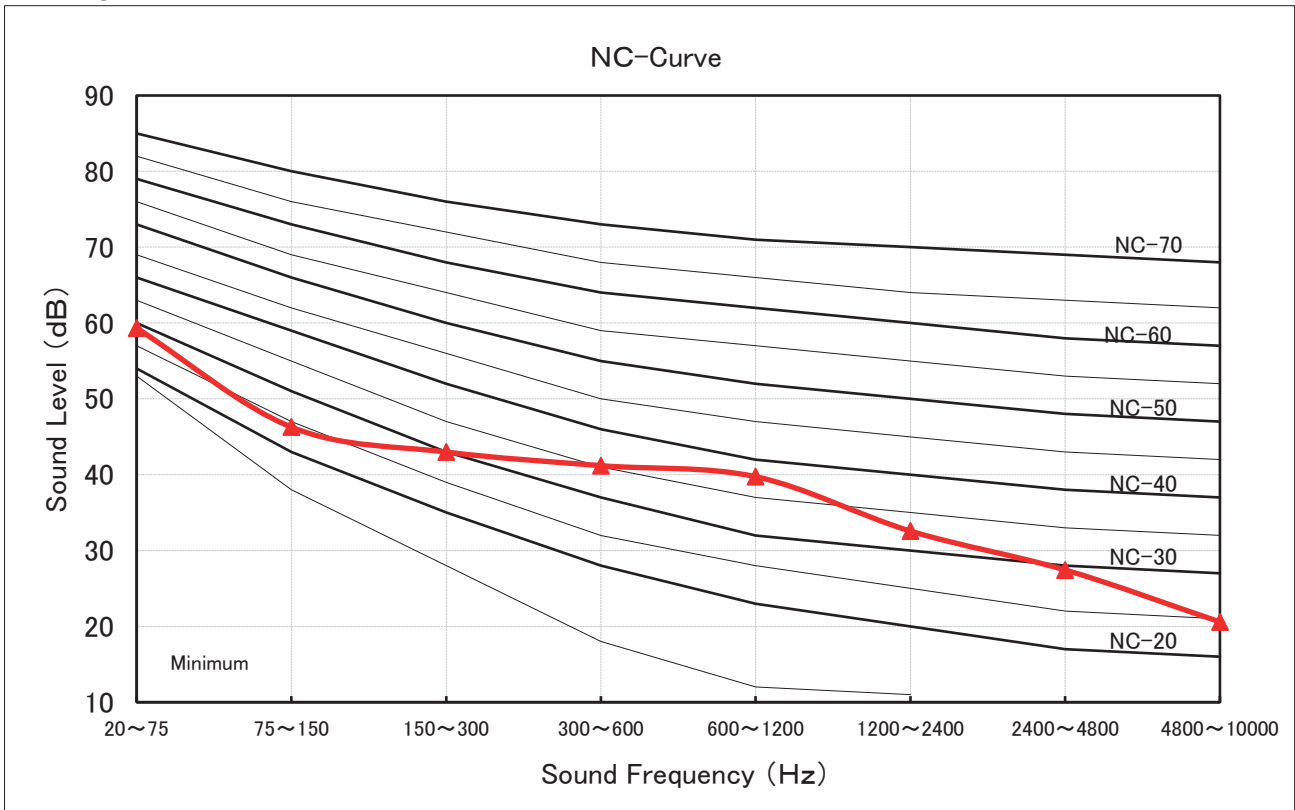
7. Sound Characteristics (NC Curve)

RAS-25N4KVPD-ND, RAS-25E2KVPD-ND

Cooling

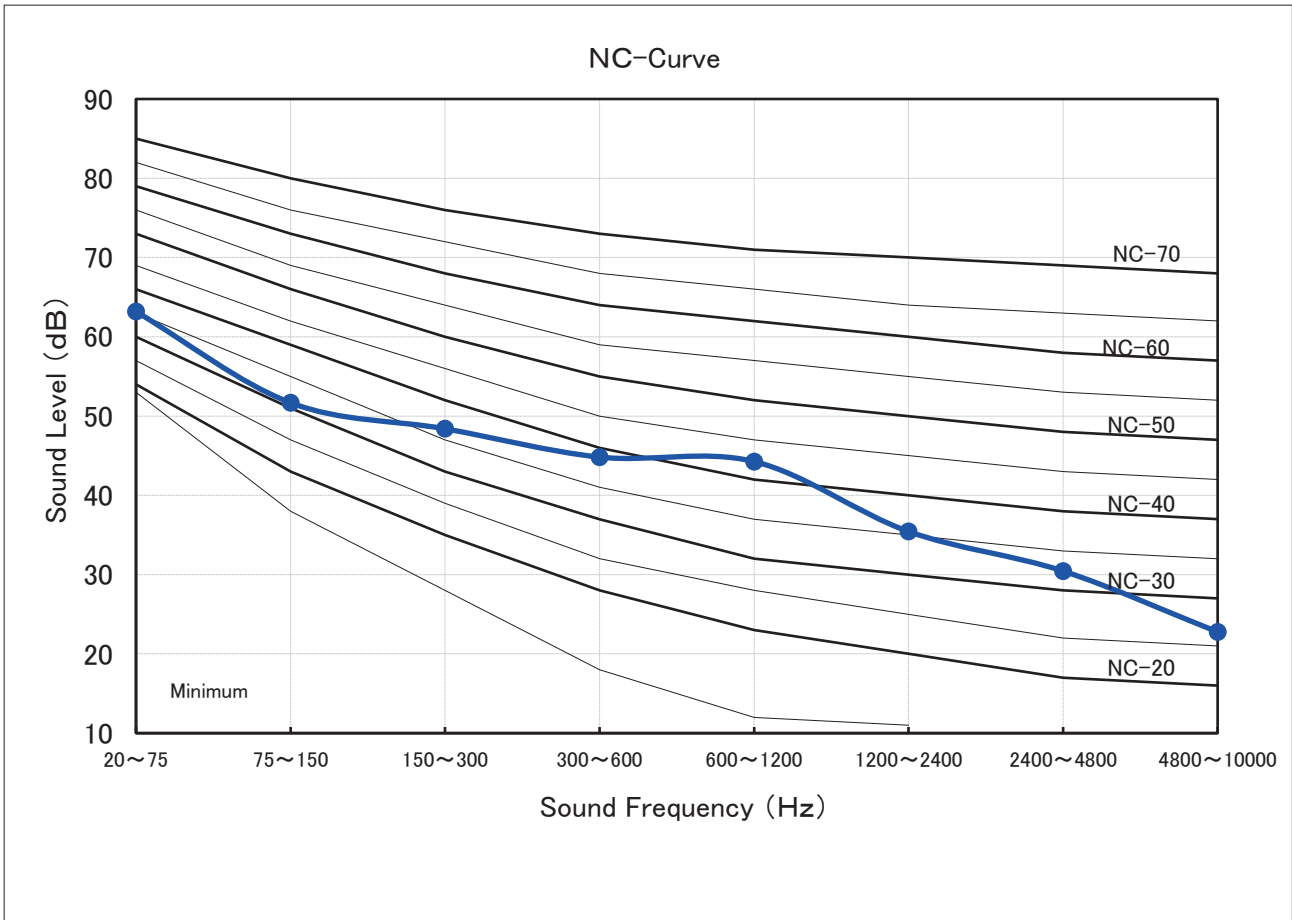


Heating

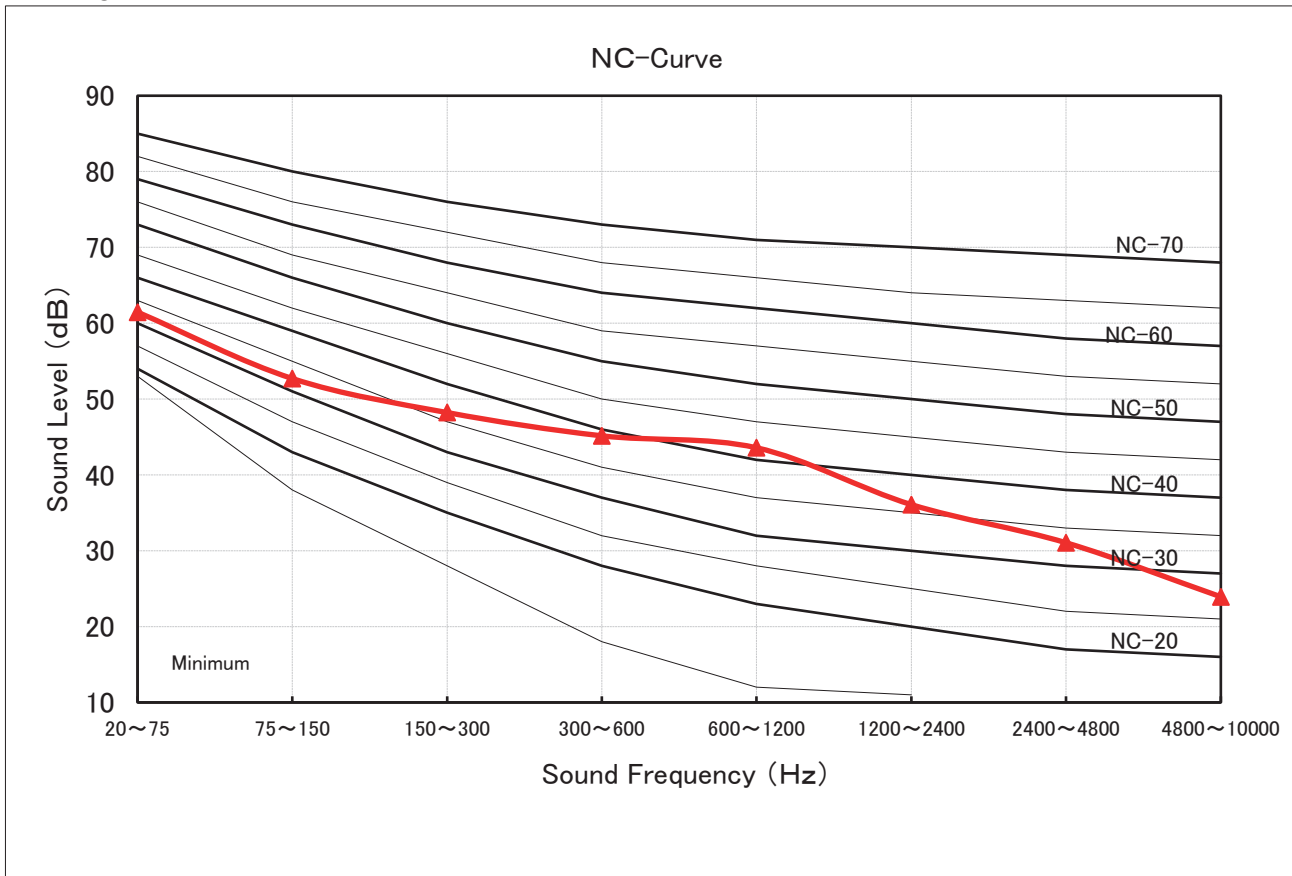


RAS-35N4KVPD-ND, RAS-35E2KVPD-ND

Cooling



Heating



8. Capacity Table

Product models : **RAS-25N4KVPG-ND, RAS-25E2KVPG-ND : RAS-25N4AVPG-ND**

Specification of product at standard condition

Standard Condition	Indoor	27°C (DB) / 19°C (WB)	Total Cooling Capacity (TC)	2.50	kW
	Outdoor	35°C (DB) / 24°C (WB)		Sensible Heat Capacity (SHC)	

Outdoor air temperature DB (°C)	Indoor air temperature													
	20.0°C (DB) 14.0°C (WB)		23.0°C (DB) 16.0°C (WB)		26.0°C (DB) 18.0°C (WB)		27.0°C (DB) 19.0°C (WB)		28.0°C (DB) 20.0°C (WB)		30.0°C (DB) 22.0°C (WB)		32.0°C (DB) 24.0°C (WB)	
	TC	SHC	TC	SHC	TC	SHC	TC	SHC	TC	SHC	TC	SHC	TC	SHC
20	2.45	2.11	2.70	2.25	2.90	2.39	2.98	2.39	3.07	2.38	3.25	2.36	3.40	2.32
21	2.42	2.09	2.68	2.22	2.86	2.36	2.95	2.36	3.03	2.36	3.21	2.34	3.36	2.29
22	2.40	2.06	2.65	2.20	2.83	2.34	2.92	2.33	3.00	2.33	3.18	2.31	3.32	2.27
23	2.37	2.04	2.62	2.17	2.80	2.31	2.89	2.31	2.97	2.31	3.14	2.29	3.29	2.24
24	2.34	2.02	2.59	2.15	2.77	2.29	2.85	2.28	2.93	2.28	3.11	2.26	3.25	2.22
25	2.32	1.99	2.56	2.13	2.74	2.26	2.82	2.26	2.90	2.26	3.07	2.23	3.21	2.19
26	2.29	1.97	2.53	2.10	2.71	2.23	2.79	2.23	2.87	2.23	3.04	2.21	3.18	2.17
27	2.26	1.95	2.50	2.08	2.68	2.21	2.76	2.21	2.84	2.20	3.00	2.18	3.14	2.14
28	2.24	1.93	2.47	2.05	2.65	2.18	2.72	2.18	2.80	2.18	2.97	2.16	3.10	2.12
29	2.21	1.90	2.44	2.03	2.62	2.16	2.69	2.15	2.77	2.15	2.93	2.13	3.07	2.09
30	2.19	1.88	2.41	2.01	2.58	2.13	2.66	2.13	2.74	2.13	2.90	2.11	3.03	2.07
31	2.16	1.86	2.38	1.98	2.55	2.11	2.63	2.10	2.70	2.10	2.86	2.08	2.99	2.04
32	2.13	1.84	2.36	1.96	2.52	2.08	2.60	2.08	2.67	2.08	2.83	2.06	2.96	2.02
33	2.11	1.81	2.33	1.93	2.49	2.05	2.56	2.05	2.64	2.05	2.79	2.03	2.92	1.99
34	2.08	1.79	2.30	1.91	2.46	2.03	2.53	2.03	2.60	2.02	2.76	2.01	2.88	1.97
35	2.05	1.77	2.27	1.88	2.43	2.00	2.50	2.00	2.57	2.00	2.72	1.98	2.85	1.94
36	2.03	1.74	2.24	1.86	2.40	1.98	2.47	1.97	2.54	1.97	2.69	1.95	2.81	1.92
37	2.00	1.72	2.21	1.84	2.37	1.95	2.44	1.95	2.51	1.95	2.65	1.93	2.78	1.89
38	1.97	1.70	2.18	1.81	2.34	1.93	2.40	1.92	2.47	1.92	2.62	1.90	2.74	1.87
39	1.95	1.68	2.15	1.79	2.30	1.90	2.37	1.90	2.44	1.90	2.58	1.88	2.70	1.84
40	1.92	1.65	2.12	1.76	2.27	1.87	2.34	1.87	2.41	1.87	2.55	1.85	2.67	1.82
41	1.90	1.63	2.09	1.74	2.24	1.85	2.31	1.85	2.37	1.84	2.51	1.83	2.63	1.79
42	1.87	1.61	2.06	1.72	2.21	1.82	2.28	1.82	2.34	1.82	2.48	1.80	2.59	1.77
43	1.84	1.59	2.03	1.69	2.18	1.80	2.24	1.79	2.31	1.79	2.44	1.78	2.56	1.74
44	1.82	1.56	2.01	1.67	2.15	1.77	2.21	1.77	2.27	1.77	2.41	1.75	2.52	1.72
45	1.79	1.54	1.98	1.64	2.12	1.75	2.18	1.74	2.24	1.74	2.37	1.73	2.48	1.69
46	1.76	1.52	1.95	1.62	2.09	1.72	2.15	1.72	2.21	1.72	2.34	1.70	2.45	1.67

Product models : RAS-35N4KVP-G-ND, RAS-35E2KVP-G-ND : RAS-35N4AVPG-ND

Specification of product at standard condition

Standard Condition	Indoor	27°C (DB) / 19°C (WB)	Total Cooling Capacity (TC)	3.50 kW
	Outdoor	35°C (DB) / 24°C (WB)	Sensible Heat Capacity (SHC)	2.70 kW

Outdoor air temperature DB (°C)	Indoor air temperature													
	20.0°C (DB) 14.0°C (WB)		23.0°C (DB) 16.0°C (WB)		26.0°C (DB) 18.0°C (WB)		27.0°C (DB) 19.0°C (WB)		28.0°C (DB) 20.0°C (WB)		30.0°C (DB) 22.0°C (WB)		32.0°C (DB) 24.0°C (WB)	
	TC	SHC	TC	SHC	TC	SHC	TC	SHC	TC	SHC	TC	SHC	TC	SHC
20	3.43	2.85	3.79	3.04	4.05	3.23	4.17	3.22	4.29	3.21	4.55	3.18	4.76	3.11
21	3.39	2.82	3.75	3.01	4.01	3.19	4.13	3.19	4.25	3.18	4.50	3.14	4.70	3.07
22	3.35	2.79	3.70	2.97	3.97	3.16	4.08	3.15	4.20	3.15	4.45	3.11	4.65	3.04
23	3.32	2.76	3.66	2.94	3.92	3.12	4.04	3.12	4.15	3.11	4.40	3.07	4.60	3.01
24	3.28	2.73	3.62	2.91	3.88	3.09	3.99	3.08	4.11	3.08	4.35	3.04	4.55	2.97
25	3.24	2.70	3.58	2.87	3.84	3.06	3.95	3.05	4.06	3.04	4.30	3.01	4.50	2.94
26	3.21	2.67	3.54	2.84	3.79	3.02	3.90	3.01	4.02	3.01	4.25	2.97	4.45	2.91
27	3.17	2.64	3.50	2.81	3.75	2.99	3.86	2.98	3.97	2.97	4.20	2.94	4.40	2.87
28	3.13	2.61	3.46	2.78	3.71	2.95	3.81	2.94	3.92	2.94	4.16	2.90	4.35	2.84
29	3.10	2.58	3.42	2.74	3.66	2.92	3.77	2.91	3.88	2.90	4.11	2.87	4.29	2.81
30	3.06	2.55	3.38	2.71	3.62	2.88	3.72	2.87	3.83	2.87	4.06	2.83	4.24	2.77
31	3.02	2.52	3.34	2.68	3.57	2.85	3.68	2.84	3.78	2.83	4.01	2.80	4.19	2.74
32	2.99	2.48	3.30	2.65	3.53	2.81	3.63	2.80	3.74	2.80	3.96	2.77	4.14	2.71
33	2.95	2.45	3.26	2.61	3.49	2.78	3.59	2.77	3.69	2.76	3.91	2.73	4.09	2.67
34	2.91	2.42	3.22	2.58	3.44	2.74	3.54	2.73	3.65	2.73	3.86	2.70	4.04	2.64
35	2.87	2.39	3.17	2.55	3.40	2.71	3.50	2.70	3.60	2.70	3.81	2.66	3.99	2.61
36	2.84	2.36	3.13	2.51	3.36	2.67	3.46	2.67	3.55	2.66	3.76	2.63	3.94	2.57
37	2.80	2.33	3.09	2.48	3.31	2.64	3.41	2.63	3.51	2.63	3.71	2.60	3.89	2.54
38	2.76	2.30	3.05	2.45	3.27	2.60	3.37	2.60	3.46	2.59	3.67	2.56	3.83	2.50
39	2.73	2.27	3.01	2.42	3.23	2.57	3.32	2.56	3.42	2.56	3.62	2.53	3.78	2.47
40	2.69	2.24	2.97	2.38	3.18	2.53	3.28	2.53	3.37	2.52	3.57	2.49	3.73	2.44
41	2.65	2.21	2.93	2.35	3.14	2.50	3.23	2.49	3.32	2.49	3.52	2.46	3.68	2.40
42	2.62	2.18	2.89	2.32	3.09	2.46	3.19	2.46	3.28	2.45	3.47	2.42	3.63	2.37
43	2.58	2.15	2.85	2.29	3.05	2.43	3.14	2.42	3.23	2.42	3.42	2.39	3.58	2.34
44	2.54	2.12	2.81	2.25	3.01	2.40	3.10	2.39	3.18	2.38	3.37	2.36	3.53	2.30
45	2.51	2.09	2.77	2.22	2.96	2.36	3.05	2.35	3.14	2.35	3.32	2.32	3.48	2.27
46	2.47	2.05	2.73	2.19	2.92	2.33	3.01	2.32	3.09	2.31	3.27	2.29	3.42	2.24

9. Part Load Performance

Single Split Type

Indoor: RAS-25N4KVPG-ND, RAS-25E2KVPG-ND
 Outdoor: RAS-25N4AVPG-ND

Operation range	Cooling		Heating	
	Q	P	Q	P
MINIMUM	W 750	160	700	150
RATING	W 2500	440	3200	600
MAXIMUM	W 3500	750	6700	1900

Cooling

Outdoor Temperature DB (°C)	Parts Load (%)																			
	100 (Max)		90		80		71 (Rate)		60		50		40		30		20		10	
	Q	P	Q	P	Q	P	Q	P	Q	P	Q	P	Q	P	Q	P	Q	P	Q	P
20	4174	589	3756	530	3339	471	2982	345	2504	295	2087	251	1670	207	1252	163	894	191	894	191
21	4129	600	3716	539	3303	479	2950	352	2477	301	2064	256	1652	211	1239	166	885	189	885	189
22	4084	610	3676	549	3267	488	2918	358	2450	306	2042	260	1634	215	1225	169	875	187	875	187
23	4039	621	3635	559	3231	497	2885	364	2423	311	2020	265	1616	219	1212	172	866	185	866	185
24	3994	632	3595	568	3195	505	2853	371	2396	317	1997	270	1598	222	1198	175	856	183	856	183
25	3949	643	3554	578	3159	514	2821	377	2370	322	1975	274	1580	226	1185	178	846	181	846	181
26	3904	653	3514	588	3123	522	2789	383	2343	327	1952	279	1562	230	1171	181	837	178	837	178
27	3859	664	3473	598	3087	531	2757	390	2316	333	1930	283	1544	234	1158	184	827	176	827	176
28	3814	675	3433	607	3052	540	2725	396	2289	338	1907	288	1526	238	1144	187	817	174	817	174
29	3770	686	3393	617	3016	548	2693	402	2262	344	1885	292	1508	241	1131	190	808	172	808	172
30	3725	696	3352	627	2980	557	2661	409	2235	349	1862	297	1490	245	1117	193	798	170	798	170
31	3680	707	3312	636	2944	565	2629	415	2208	354	1840	302	1472	249	1104	196	789	168	789	168
32	3635	718	3271	646	2908	574	2597	421	2181	360	1817	306	1454	253	1090	199	779	166	779	166
33	3590	729	3231	656	2872	583	2565	427	2154	365	1795	311	1436	256	1077	202	769	164	769	164
34	3545	739	3190	665	2836	591	2532	434	2127	371	1772	315	1418	260	1063	205	760	162	760	162
35	3500	750	3150	675	2800	600	2500	440	2100	376	1750	320	1400	264	1050	208	750	160	750	160
36	3455	761	3110	685	2764	608	2468	446	2073	381	1728	325	1382	268	1037	205	740	158	740	158
37	3410	772	3069	694	2728	617	2436	453	2046	387	1705	329	1364	272	1023	203	731	156	731	156
38	3365	782	3029	704	2692	626	2404	459	2019	392	1683	334	1346	275	1010	200	721	154	721	154
39	3320	793	2988	714	2656	634	2372	465	1992	398	1660	338	1328	279	996	197	712	152	712	152
40	3275	804	2948	723	2620	643	2340	472	1965	403	1638	343	1310	283	983	195	702	150	702	150
41	3231	815	2907	733	2584	651	2308	478	1938	408	1615	348	1292	287	969	192	692	148	692	148
42	3186	825	2867	743	2548	660	2276	484	1911	414	1593	352	1274	290	956	189	683	146	683	146
43	3141	836	2827	752	2513	669	2244	491	1884	419	1570	357	1256	294	942	187	673	144	673	144
44	3096	847	2786	762	2477	677	2212	497	1857	425	1548	361	1238	298	929	184	663	142	663	142
45	3051	858	2746	772	2441	686	2180	503	1831	430	1525	366	1220	302	915	181	654	139	654	139
46	3006	868	2705	781	2405	694	2147	509	1804	435	1503	370	1202	306	902	179	644	137	644	137

Single Split Type

Indoor: RAS-25N4KVPD-ND, RAS-25E2KVPD-ND
 Outdoor: RAS-25N4AVPD-ND

Operation range	Cooling		Heating	
	Q	P	Q	P
MINIMUM	W 750	160	700	150
RATING	W 2500	440	3200	600
MAXIMUM	W 3500	750	6700	1900

Heating

Outdoor Temperature DB (°C)	Parts Load (%)																					
	100 (Max)		90		80		70		60		48 (Rate)		40		30		20		10		9	
	Q	P	Q	P	Q	P	Q	P	Q	P	Q	P	Q	P	Q	P	Q	P	Q	P	Q	P
-30	2700	1500	2430	1346	2160	1191	1890	685	1620	590	1079	332	904	280	678	213	452	147	236	83	236	83
-29	2900	1560	2610	1400	2320	1239	2030	713	1740	614	1159	345	971	291	728	222	486	153	254	86	254	86
-28	3100	1620	2790	1453	2480	1287	2170	740	1860	637	1239	358	1038	302	778	230	519	158	271	90	271	90
-27	3300	1680	2970	1507	2640	1334	2310	768	1980	661	1319	372	1105	314	829	239	552	164	289	93	289	93
-26	3500	1740	3150	1561	2800	1382	2450	795	2100	685	1399	385	1172	325	879	248	586	170	306	96	306	96
-25	3700	1800	3330	1615	2960	1430	2590	823	2220	708	1479	398	1239	336	929	256	619	176	324	100	324	100
-24	3820	1820	3438	1633	3056	1446	2674	832	2292	716	1527	403	1279	340	959	259	640	178	334	101	334	101
-23	3940	1840	3546	1651	3152	1462	2758	841	2364	724	1575	407	1319	344	989	262	660	180	345	102	345	102
-22	4060	1860	3654	1669	3248	1477	2842	850	2436	732	1623	411	1359	347	1020	265	680	182	355	103	355	103
-21	4180	1880	3762	1687	3344	1493	2926	859	2508	740	1671	416	1400	351	1050	267	700	184	366	104	366	104
-20	4300	1900	3870	1705	3440	1509	3010	868	2580	748	1719	420	1440	355	1080	270	720	186	376	105	376	105
-19	4380	1920	3942	1723	3504	1525	3066	877	2628	755	1751	425	1467	359	1100	273	733	188	383	106	383	106
-18	4460	1940	4014	1740	3568	1541	3122	886	2676	763	1783	429	1493	362	1120	276	747	190	390	107	390	107
-17	4540	1960	4086	1758	3632	1557	3178	896	2724	771	1815	434	1520	366	1140	279	760	192	397	108	397	108
-16	4620	1980	4158	1776	3696	1573	3234	905	2772	779	1847	438	1547	370	1160	282	773	194	404	110	404	110
-15	4700	2000	4230	1794	3760	1589	3290	914	2820	787	1879	442	1574	373	1180	285	787	196	411	111	411	111
-14	4760	2030	4284	1821	3808	1612	3332	928	2856	799	1903	449	1594	379	1195	289	797	199	416	112	416	112
-13	4820	2060	4338	1848	3856	1636	3374	941	2892	811	1927	456	1614	385	1210	293	807	201	422	114	422	114
-12	4880	2090	4392	1875	3904	1660	3416	955	2928	822	1951	462	1634	390	1225	297	817	204	427	116	427	116
-11	4940	2120	4446	1902	3952	1684	3458	969	2964	834	1975	469	1654	396	1241	302	827	207	432	117	432	117
-10	5000	2150	4500	1929	4000	1708	3500	982	3000	846	1999	476	1674	401	1256	306	837	210	437	119	437	119
-9	5067	2171	4560	1948	4053	1724	3547	992	3040	854	2026	480	1696	405	1272	309	848	212	443	120	443	120
-8	5133	2192	4620	1966	4107	1741	3593	1001	3080	862	2052	485	1719	409	1289	312	859	214	449	121	449	121
-7	5200	2213	4680	1985	4160	1757	3640	1011	3120	871	2079	489	1741	413	1306	315	871	216	455	122	455	122
-6	5267	2233	4740	2004	4213	1774	3687	1021	3160	879	2106	494	1763	417	1323	318	882	218	461	124	461	124
-5	5333	2254	4800	2022	4267	1790	3733	1030	3200	887	2132	499	1786	421	1339	321	893	220	466	125	466	125
-4	5400	2275	4860	2041	4320	1807	3780	1040	3240	895	2159	503	1808	425	1356	324	904	222	472	126	472	126
-3	5467	2296	4920	2060	4373	1824	3827	1049	3280	903	2186	508	1830	429	1373	327	915	225	478	127	478	127
-2	5533	2317	4980	2078	4427	1840	3873	1059	3320	912	2212	513	1853	433	1390	330	926	227	484	128	484	128
-1	5600	2338	5040	2097	4480	1857	3920	1068	3360	920	2239	517	1875	436	1406	333	938	229	490	129	490	129
0	5667	2358	5100	2116	4533	1873	3967	1078	3400	928	2265	522	1897	440	1423	335	949	231	496	130	496	130
1	5733	2379	5160	2134	4587	1890	4013	1087	3440	936	2292	526	1920	444	1440	338	960	233	501	132	501	132
2	5800	2400	5220	2153	4640	1906	4060	1097	3480	944	2319	531	1942	448	1457	341	971	235	507	133	507	133
3	5832	2416	5249	2167	4666	1919	4082	1104	3499	951	2357	538	1974	454	1480	346	987	238	559	137	559	137
4	5864	2431	5277	2181	4691	1931	4105	1111	3518	957	2395	545	2006	460	1504	351	1003	241	612	141	612	141
5	5896	2447	5306	2196	4717	1944	4127	1118	3537	963	2433	552	2037	466	1528	355	1019	244	664	145	664	145
6	5927	2461	5334	2210	4743	1957	4149	1125	3556	969	2470	559	2068	472	1552	359	1035	247	716	149	716	149
7	6700	1900	6030	1705	5360	1509	4690	868	4020	748	3200	600	2680	506	2010	386	1340	265	700	150	700	150
8	6873	1929	6186	1731	5498	1533	4811	882	4124	759	3282	609	2749	514	2062	392	1375	269	718	152	718	152
9	7046	1959	6341	1757	5637	1556	4932	895	4227	771	3365	619	2818	522	2114	398	1409	273	736	155	736	155
10	7219	1988	6497	1784	5775	1579	5053	909	4331	782	3448	628	2887	530	2166	404	1444	278	754	157	754	157
11	7392	2018	6652	1810	5913	1603	5174	922	4435	794	3530	637	2957	538	2217	410	1478	282	772	159	772	159
12	7565	2047	6808	1837	6052	1626	5295	935	4539	805	3613	646	3026	546	2269	416	1513	286	790	162	790	162
13	7737	2077	6964	1863	6190	1649	5416	949	4642	817	3695	656	3095	553	2321	422	1547	290	808	164	808	164
14	7910	2106	7119	1889	6328	1673	5537	962	4746	829	3778	665	3164	561	2373	428	1582	294	826	166	826	166
15	8083	2135	7275	1916	6467	1696	5658	976	4850	840	3861	674	3233	569	2425	434	1617	298	845	169	845	169
16	8256	2165	7431	1942	6605	1719	5779	989	4954	852	3943	684	3302	577	2477	440	1651	302	863	171	863	171
17	8429	2194	7586	1969	6743	1743	5900	1003	5057	863	4026	693	3372	585	2529	446	1686	306	881	173	881	173
18	8602	2224	7742	1995	6882	1766	6021	1016	5161	875	4108	702	3441	593	2581	452	1720	310	899	176	899	176
19	8775	2253	7897	2021	7020	1790	6142	1030	5265	887	4191	711	3510	600	2632	457	1755	314	917	178	917	178
20	8948	2282	8053	2048	7158	1813	6263	1043	5369	898	4273	721	3579	608	2684	463	1790	319	935	180	935	180
21	9121	2312	8209	2074	7297	1836	6384	1056	5472	910	4356	730	3648	616	2736	469	1824	323	953	183	953	183
22	9294	2341	8364	2100	7435	1860	6505	1070	5576	921	4439	739	3717	624	2788	475	1859	327	971	185	971	185
23	9466	2371	8520	2127	7573	1883	6627	1083	5680	933	4521	749	3787	632	2840	481	1893	331	989	187	989	187
24	9639	2400	8675	2153	7711	1906	6748	1097	5784	944	4604	758	3856	640	2892	487	1928	335	1007	189	1007	189

Single Split Type

Indoor: RAS-35N4KVPD-ND, RAS-35E2KVPD-ND
 Outdoor: RAS-35N4AVPD-ND

Operation range	Cooling		Heating	
	Q	P	Q	P
MINIMUM	W 900	230	900	200
RATING	W 3500	770	4000	800
MAXIMUM	W 4100	980	7700	2400

Cooling

Outdoor Temperature DB (°C)	Parts Load (%)																			
	100 (Max)		90		85 (Rate)		70		60		50		40		30		20		10	
	Q	P	Q	P	Q	P	Q	P	Q	P	Q	P	Q	P	Q	P	Q	P	Q	P
20	4889	769	4400	694	4174	604	3422	502	2934	435	2445	368	1956	301	1467	234	1073	181	1073	181
21	4837	763	4353	707	4129	615	3386	511	2902	443	2418	375	1935	307	1451	239	1062	184	1062	184
22	4784	797	4306	719	4084	627	3349	520	2870	451	2392	381	1914	312	1435	243	1050	187	1050	187
23	4731	811	4258	732	4039	638	3312	529	2839	459	2366	388	1893	318	1419	247	1039	190	1039	190
24	4679	825	4211	745	3994	649	3275	538	2807	467	2339	395	1872	323	1404	251	1027	194	1027	194
25	4626	840	4164	757	3949	660	3238	548	2776	475	2313	402	1850	329	1388	256	1016	197	1016	197
26	4574	854	4116	770	3904	671	3201	557	2744	483	2287	408	1829	334	1372	260	1004	200	1004	200
27	4521	868	4069	783	3859	682	3165	566	2713	490	2260	415	1808	340	1356	264	992	204	992	204
28	4468	882	4021	795	3814	693	3128	575	2681	498	2234	422	1787	345	1340	269	981	207	981	207
29	4416	896	3974	808	3770	704	3091	584	2649	506	2208	429	1766	351	1325	273	969	210	969	210
30	4363	910	3927	821	3725	715	3054	593	2618	514	2182	435	1745	356	1309	277	958	214	958	214
31	4310	924	3879	833	3680	726	3017	603	2586	522	2155	442	1724	362	1293	281	946	217	946	217
32	4258	938	3832	846	3635	737	2980	612	2555	530	2129	449	1703	367	1277	286	935	220	935	220
33	4205	952	3785	859	3590	748	2944	621	2523	538	2103	455	1682	373	1262	290	923	223	923	223
34	4153	966	3737	871	3545	759	2907	630	2492	546	2076	462	1661	378	1246	294	912	227	912	227
35	4100	980	3690	884	3500	770	2870	639	2460	554	2050	469	1640	384	1230	299	900	230	900	230
36	4047	994	3643	897	3455	781	2833	648	2428	562	2024	476	1619	389	1214	303	888	233	888	233
37	3995	1008	3595	909	3410	792	2796	657	2397	570	1997	482	1598	395	1198	307	877	237	877	237
38	3942	1022	3548	922	3365	803	2760	667	2365	578	1971	489	1577	400	1183	311	865	240	865	240
39	3890	1036	3501	935	3320	814	2723	676	2334	586	1945	496	1556	406	1167	316	854	243	854	243
40	3837	1050	3453	947	3275	825	2686	685	2302	594	1918	502	1535	411	1151	320	842	246	842	246
41	3784	1064	3406	960	3231	836	2649	694	2271	602	1892	509	1514	417	1135	324	831	250	831	250
42	3732	1078	3359	973	3186	847	2612	703	2239	610	1866	516	1493	422	1120	328	819	253	819	253
43	3679	1092	3311	985	3141	858	2575	712	2207	618	1840	523	1472	428	1104	333	808	256	808	256
44	3626	1106	3264	998	3096	869	2539	722	2176	625	1813	529	1451	433	1088	337	796	260	796	260
45	3574	1120	3216	1011	3051	880	2502	731	2144	633	1787	536	1430	439	1072	341	785	263	785	263
46	3521	1135	3169	1023	3006	891	2465	740	2113	641	1761	543	1408	444	1056	346	773	266	773	266

Single Split Type

Indoor: RAS-35N4KVPD-ND, RAS-35E2KVPD-ND
 Outdoor: RAS-35N4AVPD-ND

Operation range	Cooling		Heating	
	Q	P	Q	P
MINIMUM	W 900	230	900	200
RATING	W 3500	770	4000	800
MAXIMUM	W 4100	980	7700	2400

Heating

Outdoor Temperature DB (°C)	Parts Load (%)																					
	100 (Max)		90		80		70		60		52 (Rate)		40		30		20		10		9	
	Q	P	Q	P	Q	P	Q	P	Q	P	Q	P	Q	P	Q	P	Q	P	Q	P	Q	P
-30	2900	1800	2610	1613	2320	1426	2030	802	1740	690	1356	531	1044	413	783	314	522	215	305	133	305	133
-29	3080	1840	2772	1649	2464	1458	2156	820	1848	705	1440	543	1109	422	832	321	554	220	324	136	324	136
-28	3260	1880	2934	1685	2608	1490	2282	837	1956	721	1524	555	1174	431	880	328	587	225	343	139	343	139
-27	3440	1920	3096	1721	2752	1521	2408	855	2064	736	1608	566	1238	440	929	335	619	229	362	142	362	142
-26	3620	1960	3258	1757	2896	1553	2534	873	2172	751	1692	578	1303	449	977	342	652	234	381	145	381	145
-25	3800	2000	3420	1792	3040	1585	2660	891	2280	767	1777	590	1368	459	1026	349	684	239	400	147	400	147
-24	3920	2040	3528	1828	3136	1617	2744	909	2352	782	1833	602	1411	468	1058	356	706	244	412	150	412	150
-23	4040	2080	3636	1864	3232	1648	2828	926	2424	797	1889	614	1454	477	1091	363	727	248	425	153	425	153
-22	4160	2120	3744	1900	3328	1680	2912	944	2496	813	1945	625	1498	486	1123	370	749	253	438	156	438	156
-21	4280	2160	3852	1936	3424	1712	2996	962	2568	828	2001	637	1541	495	1156	377	770	258	450	159	450	159
-20	4400	2200	3960	1972	3520	1743	3080	980	2640	843	2057	649	1584	505	1188	384	792	263	463	162	463	162
-19	4480	2220	4032	1990	3584	1759	3136	989	2688	851	2095	655	1613	509	1210	387	806	265	471	164	471	164
-18	4560	2240	4104	2007	3648	1775	3192	998	2736	859	2132	661	1642	514	1231	391	821	268	480	165	480	165
-17	4640	2260	4176	2025	3712	1791	3248	1007	2784	866	2169	667	1670	518	1253	394	835	270	488	167	488	167
-16	4720	2280	4248	2043	3776	1807	3304	1016	2832	874	2207	673	1699	523	1274	398	850	272	496	168	496	168
-15	4800	2300	4320	2061	3840	1823	3360	1024	2880	882	2244	678	1728	527	1296	401	864	275	505	170	505	170
-14	5000	2360	4500	2115	4000	1870	3500	1051	3000	905	2338	696	1800	541	1350	412	900	282	526	174	526	174
-13	5200	2420	4680	2169	4160	1918	3640	1078	3120	928	2431	714	1872	555	1404	422	936	289	547	178	547	178
-12	5400	2480	4860	2223	4320	1965	3780	1105	3240	951	2525	732	1944	569	1458	432	972	296	568	183	568	183
-11	5600	2540	5040	2276	4480	2013	3920	1131	3360	974	2618	749	2016	582	1512	443	1008	303	589	187	589	187
-10	5800	2600	5220	2330	4640	2060	4060	1158	3480	997	2712	767	2088	596	1566	453	1044	310	610	192	610	192
-9	5833	2583	5250	2315	4667	2047	4083	1151	3500	990	2727	762	2100	592	1575	450	1050	309	614	191	614	191
-8	5867	2567	5280	2300	4693	2034	4107	1143	3520	984	2743	757	2112	589	1584	448	1056	307	617	189	617	189
-7	5900	2550	5310	2285	4720	2021	4130	1136	3540	978	2758	752	2124	585	1593	445	1062	305	621	188	621	188
-6	5933	2533	5340	2270	4747	2007	4153	1128	3560	971	2774	747	2136	581	1602	442	1068	303	624	187	624	187
-5	5967	2517	5370	2255	4773	1994	4177	1121	3580	965	2790	742	2148	577	1611	439	1074	301	628	186	628	186
-4	6000	2500	5400	2241	4800	1981	4200	1114	3600	958	2805	737	2160	573	1620	436	1080	299	631	184	631	184
-3	6033	2483	5430	2226	4827	1968	4223	1106	3620	952	2821	733	2172	569	1629	433	1086	297	635	183	635	183
-2	6067	2467	5460	2211	4853	1955	4247	1099	3640	946	2836	728	2184	566	1638	430	1092	295	638	182	638	182
-1	6100	2450	5490	2196	4880	1941	4270	1091	3660	939	2852	723	2196	562	1647	427	1098	293	642	181	642	181
0	6133	2433	5520	2181	4907	1928	4293	1084	3680	933	2867	718	2208	558	1656	424	1104	291	645	179	645	179
1	6167	2417	5550	2166	4933	1915	4317	1076	3700	926	2883	713	2220	554	1665	421	1110	289	649	178	649	178
2	6200	2400	5580	2151	4960	1902	4340	1069	3720	920	2899	708	2232	550	1674	418	1116	287	652	177	652	177
3	6350	2455	5715	2200	5080	1945	4445	1093	3810	941	2946	718	2268	558	1701	424	1134	290	719	183	719	183
4	6501	2510	5851	2249	5201	1989	4551	1118	3901	962	2994	727	2305	565	1729	430	1153	294	786	188	786	188
5	6651	2565	5986	2298	5321	2032	4656	1142	3991	983	3041	737	2342	573	1756	435	1171	298	854	194	854	194
6	7501	2363	6751	2118	6001	1872	5251	1052	4501	906	3897	788	3001	612	2250	466	1500	319	877	197	877	197
7	7700	2400	6930	2151	6160	1902	5390	1069	4620	920	4000	800	3080	622	2310	473	1540	324	900	200	900	200
8	7899	2437	7109	2184	6319	1931	5529	1086	4739	934	4103	812	3159	632	2370	480	1580	329	923	203	923	203
9	8097	2474	7288	2217	6478	1961	5668	1102	4858	948	4207	825	3239	641	2429	488	1619	334	946	206	946	206
10	8296	2511	7467	2251	6637	1990	5807	1119	4978	963	4310	837	3318	651	2489	495	1659	339	970	209	970	209
11	8495	2549	7645	2284	6796	2020	5946	1135	5097	977	4413	850	3398	660	2548	502	1699	344	993	212	993	212
12	8694	2586	7824	2317	6955	2049	6085	1152	5216	991	4516	862	3477	670	2608	510	1739	349	1016	215	1016	215
13	8892	2623	8003	2351	7114	2078	6225	1168	5335	1005	4620	874	3557	680	2668	517	1778	354	1039	219	1039	219
14	9091	2660	8182	2384	7273	2108	6364	1185	5455	1020	4723	887	3636	689	2727	524	1818	359	1063	222	1063	222
15	9290	2697	8361	2417	7432	2137	6503	1201	5574	1034	4826	899	3716	699	2787	531	1858	364	1086	225	1086	225
16	9488	2734	8540	2451	7591	2167	6642	1218	5693	1048	4929	912	3795	709	2847	539	1898	369	1109	228	1109	228
17	9687	2772	8718	2484	7750	2196	6781	1235	5812	1062	5032	924	3875	718	2906	546	1937	374	1132	231	1132	231
18	9886	2809	8897	2517	7909	2226	6920	1251	5931	1077	5136	936	3954	728	2966	553	1977	379	1155	234	1155	234
19	10085	2846	9076	2551	8068	2255	7059	1268	6051	1091	5239	949	4034	737	3025	561	2017	384	1179	237	1179	237
20	10251	2870	9226	2572	8200	2275	7198	1284	6170	1105	5342	961	4113	747	3085	568	2057	389	1202	240	1202	240
21	10353	2870	9318	2572	8282	2275	7337	1301	6289	1119	5445	973	4193	757	3145	575	2096	394	1225	243	1225	243
22	10454	2870	9409	2572	8363	2275	7476	1317	6408	1134	5549	986	4272	766	3204	583	2136	399	1248	246	1248	246
23	10554	2870	9499	2572	8443	2275	7616	1334	6528	1148	5652	998	4352	776	3264	590	2176	404	1272	250	1272	250
24	10653	2870	9588	2572	8523	2275	7755	1350	6647	1162	5755	1011	4431	786	3323	597	2216	409	1295	253	1295	253

10. Performance Characteristic

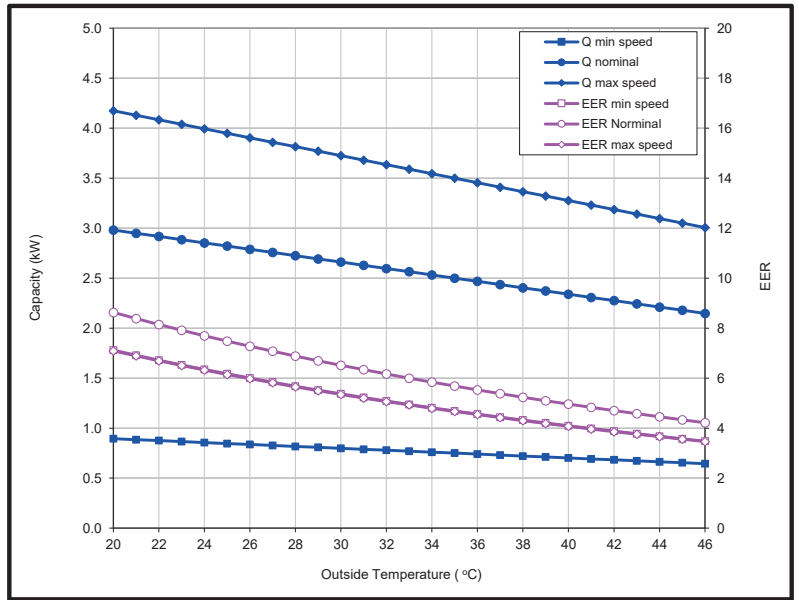
Model : RAS-25N4KVPD-ND, RAS-25E2KVPD-ND / RAS-25N4AVPD-ND

Product specification :

Condition		Capacity (kW)	Power (kW)	EER/COP
Cooling JIS In: 27 °C DB/19°C WB Out: 35°C DB/24°C WB	Min	0.75	0.16	4.69
	Rated	2.50	0.44	5.68
	Max	3.50	0.75	4.67
Heating JIS In: 20 °C DB/15°C WB Out: 7 °C DB/6°C WB	Min	0.70	0.15	4.67
	Rated	3.20	0.60	5.33
	Max	6.70	1.90	3.53
Heating Low Temp. In: 20 °C DB/15°C WB Out: 2°C DB/1°C WB	Max	5.80	2.40	2.42
Heating Low Temp. In: 20 °C DB/15°C WB Out: -10°C DB	Max	5.00	2.150	2.33
Heating Low Temp. In: 20 °C DB/15°C WB Out: -15°C DB	Max	4.70	2.000	2.35
Heating Low Temp. In: 20 °C DB/15°C WB Out: -20°C DB	Max	4.30	1.900	2.26
Heating Low Temp. In: 20 °C DB/15°C WB Out: -25°C DB	Max	3.70	1.800	2.06
Heating Low Temp. In: 20 °C DB/15°C WB Out: -30°C DB	Max	2.70	1.500	1.80

Cooling performance characteristic :

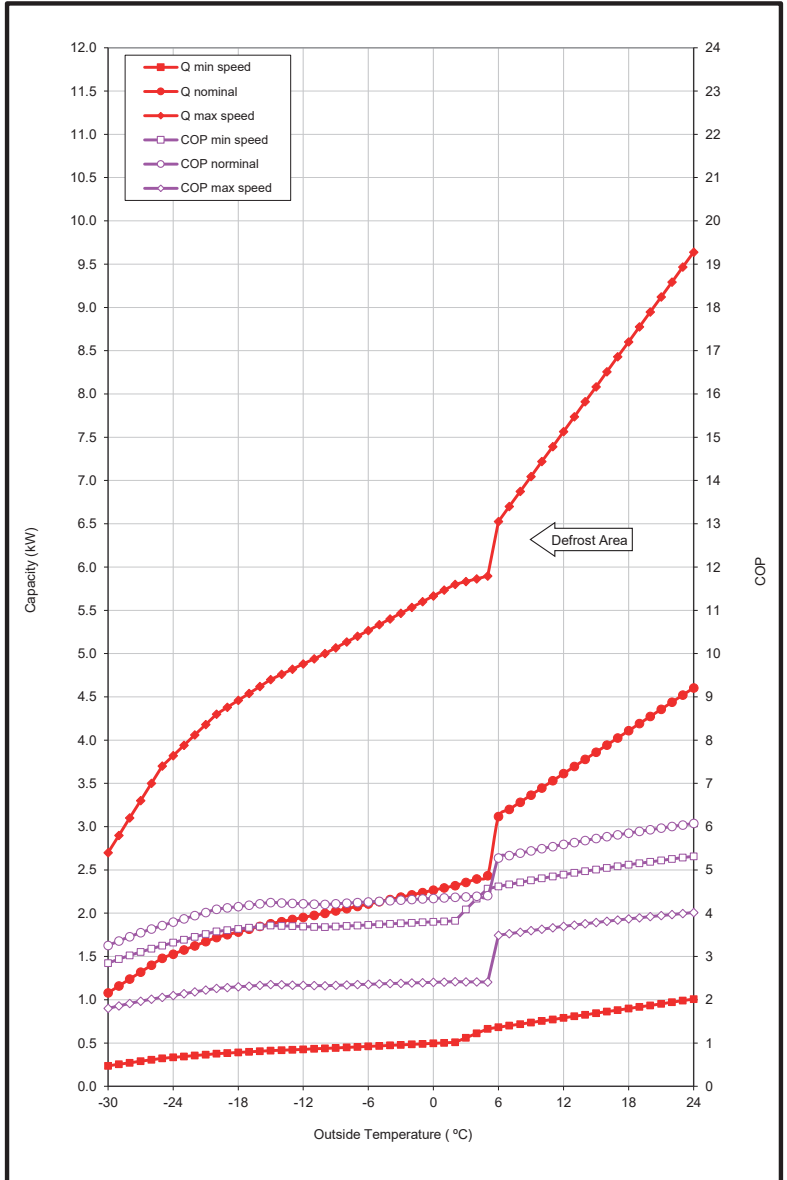
Outside Temp (°C)	Min capacity			Nominal capacity			Max capacity		
	Capacity (kW)	Power (kW)	EER (-)	Capacity (kW)	Power (kW)	EER (-)	Capacity (kW)	Power (kW)	EER (-)
20	0.89	0.13	7.12	2.98	0.35	8.63	4.17	0.59	7.09
21	0.88	0.13	6.92	2.95	0.35	8.39	4.13	0.60	6.89
22	0.88	0.13	6.72	2.92	0.36	8.15	4.08	0.61	6.69
23	0.87	0.13	6.53	2.89	0.36	7.92	4.04	0.62	6.50
24	0.86	0.13	6.35	2.85	0.37	7.70	3.99	0.63	6.32
25	0.85	0.14	6.17	2.82	0.38	7.48	3.95	0.64	6.15
26	0.84	0.14	6.00	2.79	0.38	7.28	3.90	0.65	5.98
27	0.83	0.14	5.84	2.76	0.39	7.08	3.86	0.66	5.81
28	0.82	0.14	5.68	2.72	0.40	6.88	3.81	0.67	5.65
29	0.81	0.15	5.52	2.69	0.40	6.70	3.77	0.69	5.50
30	0.80	0.15	5.37	2.66	0.41	6.51	3.72	0.70	5.35
31	0.79	0.15	5.23	2.63	0.41	6.34	3.68	0.71	5.20
32	0.78	0.15	5.09	2.60	0.42	6.17	3.63	0.72	5.06
33	0.77	0.16	4.95	2.56	0.43	6.00	3.59	0.73	4.93
34	0.76	0.16	4.82	2.53	0.43	5.84	3.54	0.74	4.80
35	0.75	0.16	4.69	2.50	0.44	5.68	3.50	0.75	4.67
36	0.74	0.16	4.56	2.47	0.45	5.53	3.46	0.76	4.54
37	0.73	0.16	4.44	2.44	0.45	5.38	3.41	0.77	4.42
38	0.72	0.17	4.32	2.40	0.46	5.24	3.37	0.78	4.30
39	0.71	0.17	4.21	2.37	0.47	5.10	3.32	0.79	4.19
40	0.70	0.17	4.09	2.34	0.47	4.96	3.28	0.80	4.08
41	0.69	0.17	3.98	2.31	0.48	4.83	3.23	0.81	3.97
42	0.68	0.18	3.88	2.28	0.48	4.70	3.19	0.83	3.86
43	0.67	0.18	3.77	2.24	0.49	4.57	3.14	0.84	3.76
44	0.66	0.18	3.67	2.21	0.50	4.45	3.10	0.85	3.66
45	0.65	0.18	3.57	2.18	0.50	4.33	3.05	0.86	3.56
46	0.64	0.19	3.48	2.15	0.51	4.22	3.01	0.87	3.46



Model : RAS-25N4KVPD-ND, RAS-25E2KVPD-ND / RAS-25N4AVPD-ND

Heating performance characteristic :

Outside Temp (°C)	Min capacity			Nominal capacity			Max capacity		
	Capacity (kW)	Power (kW)	COP (-)	Capacity (kW)	Power (kW)	COP (-)	Capacity (kW)	Power (kW)	COP (-)
-30	0.24	0.08	2.85	1.08	0.33	3.25	2.70	1.50	1.80
-29	0.25	0.09	2.94	1.16	0.35	3.36	2.90	1.56	1.86
-28	0.27	0.09	3.03	1.24	0.36	3.46	3.10	1.62	1.91
-27	0.29	0.09	3.11	1.32	0.37	3.55	3.30	1.68	1.96
-26	0.31	0.10	3.18	1.40	0.38	3.63	3.50	1.74	2.01
-25	0.32	0.10	3.25	1.48	0.40	3.71	3.70	1.80	2.06
-24	0.33	0.10	3.32	1.53	0.40	3.79	3.82	1.82	2.10
-23	0.34	0.10	3.39	1.58	0.41	3.87	3.94	1.84	2.14
-22	0.36	0.10	3.45	1.62	0.41	3.94	4.06	1.86	2.18
-21	0.37	0.10	3.52	1.67	0.42	4.02	4.18	1.88	2.22
-20	0.38	0.11	3.58	1.72	0.42	4.09	4.30	1.90	2.26
-19	0.38	0.11	3.61	1.75	0.42	4.12	4.38	1.92	2.28
-18	0.39	0.11	3.64	1.78	0.43	4.15	4.46	1.94	2.30
-17	0.40	0.11	3.66	1.82	0.43	4.19	4.54	1.96	2.32
-16	0.40	0.11	3.69	1.85	0.44	4.22	4.62	1.98	2.33
-15	0.41	0.11	3.72	1.88	0.44	4.25	4.70	2.00	2.35
-14	0.42	0.11	3.71	1.90	0.45	4.24	4.76	2.03	2.34
-13	0.42	0.11	3.70	1.93	0.46	4.23	4.82	2.06	2.34
-12	0.43	0.12	3.69	1.95	0.46	4.22	4.88	2.09	2.33
-11	0.43	0.12	3.68	1.98	0.47	4.21	4.94	2.12	2.33
-10	0.44	0.12	3.68	2.00	0.48	4.20	5.00	2.15	2.33
-9	0.44	0.12	3.69	2.03	0.48	4.22	5.07	2.17	2.33
-8	0.45	0.12	3.70	2.05	0.48	4.23	5.13	2.19	2.34
-7	0.45	0.12	3.72	2.08	0.49	4.25	5.20	2.21	2.35
-6	0.46	0.12	3.73	2.11	0.49	4.26	5.27	2.23	2.36
-5	0.47	0.12	3.74	2.13	0.50	4.28	5.33	2.25	2.37
-4	0.47	0.13	3.75	2.16	0.50	4.29	5.40	2.28	2.37
-3	0.48	0.13	3.77	2.19	0.51	4.30	5.47	2.30	2.38
-2	0.48	0.13	3.78	2.21	0.51	4.32	5.53	2.32	2.39
-1	0.49	0.13	3.79	2.24	0.52	4.33	5.60	2.34	2.40
0	0.50	0.13	3.80	2.27	0.52	4.34	5.67	2.36	2.40
1	0.50	0.13	3.81	2.29	0.53	4.35	5.73	2.38	2.41
2	0.51	0.13	3.82	2.32	0.53	4.37	5.80	2.40	2.42
3	0.56	0.14	4.09	2.36	0.54	4.38	5.83	2.42	2.41
4	0.61	0.14	4.33	2.39	0.55	4.39	5.86	2.43	2.41
5	0.66	0.15	4.57	2.43	0.55	4.40	5.90	2.45	2.41
6	0.68	0.15	4.62	3.12	0.59	5.28	6.53	1.87	3.49
7	0.70	0.15	4.67	3.20	0.60	5.33	6.70	1.90	3.53
8	0.72	0.15	4.71	3.28	0.61	5.39	6.87	1.93	3.56
9	0.74	0.15	4.76	3.37	0.62	5.44	7.05	1.96	3.60
10	0.75	0.16	4.80	3.45	0.63	5.49	7.22	1.99	3.63
11	0.77	0.16	4.85	3.53	0.64	5.54	7.39	2.02	3.66
12	0.79	0.16	4.89	3.61	0.65	5.59	7.56	2.05	3.70
13	0.81	0.16	4.93	3.70	0.66	5.64	7.74	2.08	3.73
14	0.83	0.17	4.97	3.78	0.67	5.68	7.91	2.11	3.76
15	0.84	0.17	5.01	3.86	0.67	5.73	8.08	2.14	3.79
16	0.86	0.17	5.05	3.94	0.68	5.77	8.26	2.16	3.81
17	0.88	0.17	5.08	4.03	0.69	5.81	8.43	2.19	3.84
18	0.90	0.18	5.12	4.11	0.70	5.85	8.60	2.22	3.87
19	0.92	0.18	5.15	4.19	0.71	5.89	8.77	2.25	3.89
20	0.93	0.18	5.19	4.27	0.72	5.93	8.95	2.28	3.92
21	0.95	0.18	5.22	4.36	0.73	5.97	9.12	2.31	3.95
22	0.97	0.18	5.25	4.44	0.74	6.00	9.29	2.34	3.97
23	0.99	0.19	5.28	4.52	0.75	6.04	9.47	2.37	3.99
24	1.01	0.19	5.31	4.60	0.76	6.07	9.64	2.40	4.02



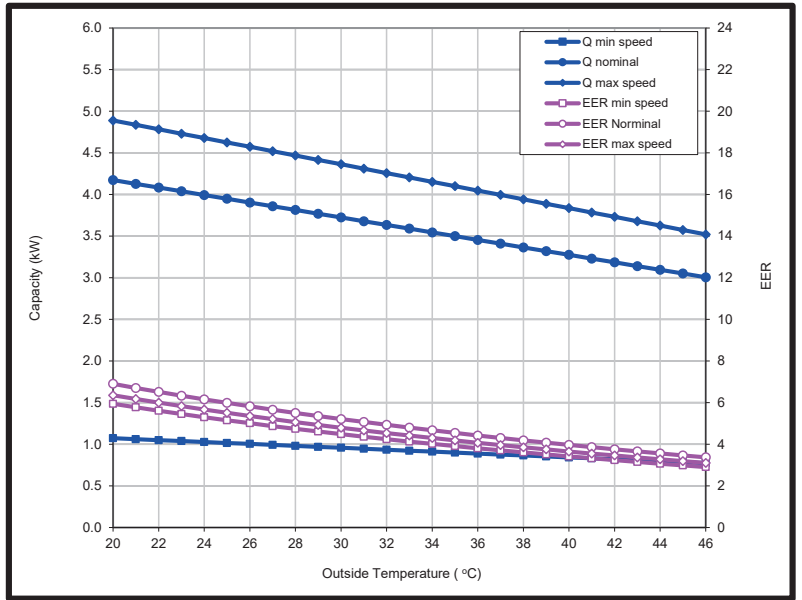
Model : RAS-35N4KVPG-ND, RAS-35N4KVPG-ND / RAS-35N4AVPG-ND

Product specification :

Condition		Capacity (kW)	Power (kW)	EER/COP
Cooling JIS In: 27 °C DB/19°C WB Out: 35°C DB/24°C WB	Min	0.90	0.23	3.91
	Rated	3.50	0.77	4.55
	Max	4.10	0.98	4.18
Heating JIS In: 20 °C DB/15°C WB Out: 7 °C DB/6°C WB	Min	0.90	0.20	4.50
	Rated	4.00	0.80	5.00
	Max	7.70	2.40	3.21
Heating Low Temp. In: 20 °C DB/15°C WB Out: 2 °C DB/1°C WB	Max	6.20	2.40	2.58
	Max	5.80	2.600	2.23
Heating Low Temp. In: 20 °C DB/15°C WB Out: -10 °C DB	Max	4.80	2.300	2.09
	Max	4.40	2.200	2.00
Heating Low Temp. In: 20 °C DB/15°C WB Out: -20 °C DB	Max	3.80	2.000	1.90
	Max	2.90	1.800	1.61

Cooling performance characteristic :

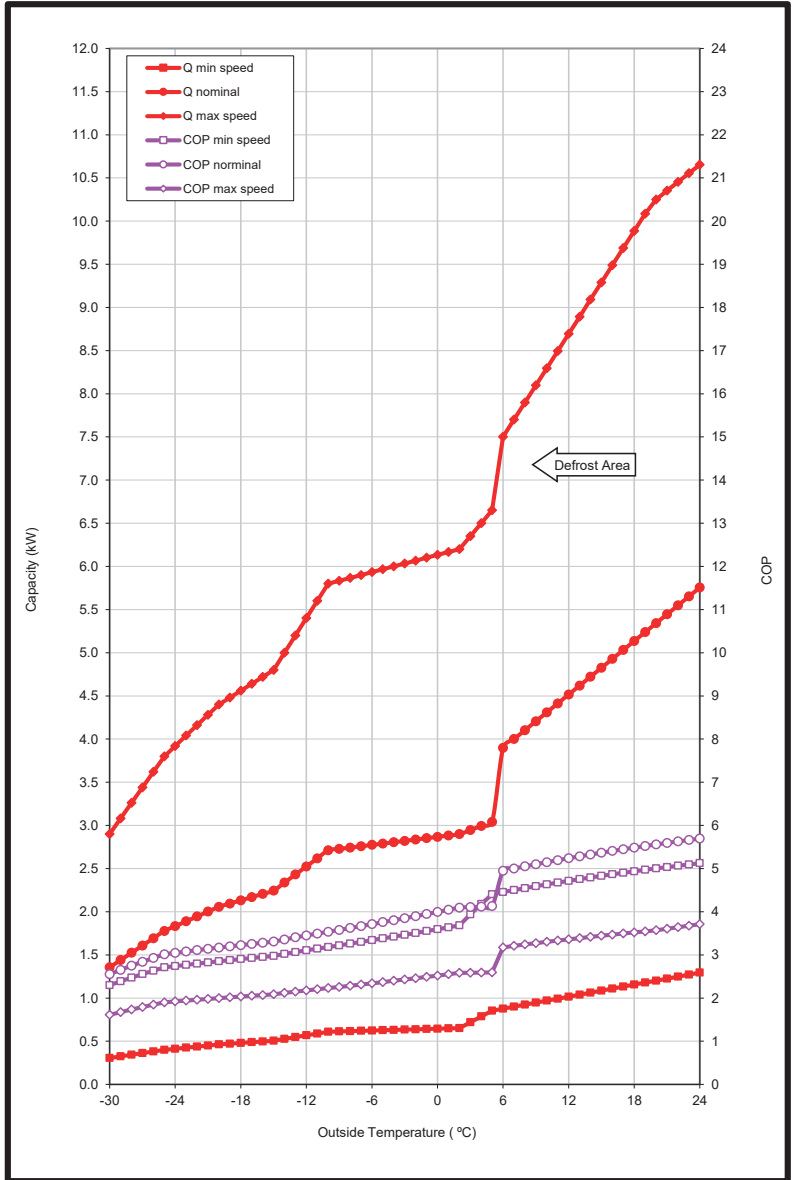
Outside Temp (°C)	Min capacity			Nominal capacity			Max capacity		
	Capacity (kW)	Power (kW)	EER (-)	Capacity (kW)	Power (kW)	EER (-)	Capacity (kW)	Power (kW)	EER (-)
20	1.07	0.18	5.94	4.17	0.60	6.91	4.89	0.77	6.36
21	1.06	0.18	5.77	4.13	0.62	6.71	4.84	0.78	6.17
22	1.05	0.19	5.61	4.08	0.63	6.52	4.78	0.80	6.00
23	1.04	0.19	5.45	4.04	0.64	6.34	4.73	0.81	5.83
24	1.03	0.19	5.30	3.99	0.65	6.16	4.68	0.83	5.67
25	1.02	0.20	5.15	3.95	0.66	5.99	4.63	0.84	5.51
26	1.00	0.20	5.01	3.90	0.67	5.82	4.57	0.85	5.36
27	0.99	0.20	4.87	3.86	0.68	5.66	4.52	0.87	5.21
28	0.98	0.21	4.74	3.81	0.69	5.51	4.47	0.88	5.07
29	0.97	0.21	4.61	3.77	0.70	5.36	4.42	0.90	4.93
30	0.96	0.21	4.49	3.72	0.71	5.21	4.36	0.91	4.80
31	0.95	0.22	4.36	3.68	0.73	5.07	4.31	0.92	4.67
32	0.93	0.22	4.25	3.63	0.74	4.93	4.26	0.94	4.54
33	0.92	0.22	4.13	3.59	0.75	4.80	4.21	0.95	4.42
34	0.91	0.23	4.02	3.54	0.76	4.67	4.15	0.97	4.30
35	0.90	0.23	3.91	3.50	0.77	4.55	4.10	0.98	4.18
36	0.89	0.23	3.81	3.46	0.78	4.42	4.05	0.99	4.07
37	0.88	0.24	3.71	3.41	0.79	4.31	3.99	1.01	3.96
38	0.87	0.24	3.61	3.37	0.80	4.19	3.94	1.02	3.86
39	0.85	0.24	3.51	3.32	0.81	4.08	3.89	1.04	3.75
40	0.84	0.25	3.42	3.28	0.83	3.97	3.84	1.05	3.65
41	0.83	0.25	3.33	3.23	0.84	3.86	3.78	1.06	3.56
42	0.82	0.25	3.24	3.19	0.85	3.76	3.73	1.08	3.46
43	0.81	0.26	3.15	3.14	0.86	3.66	3.68	1.09	3.37
44	0.80	0.26	3.07	3.10	0.87	3.56	3.63	1.11	3.28
45	0.78	0.26	2.98	3.05	0.88	3.47	3.57	1.12	3.19
46	0.77	0.27	2.90	3.01	0.89	3.37	3.52	1.13	3.10



Model : RAS-35N4KVPG-ND, RAS-35E2KVPG-ND / RAS-35N4AVPG-ND

Heating performance characteristic :

Outside Temp (°C)	Min capacity			Nominal capacity			Max capacity		
	Capacity (kW)	Power (kW)	COP (-)	Capacity (kW)	Power (kW)	COP (-)	Capacity (kW)	Power (kW)	COP (-)
-30	0.31	0.13	2.30	1.36	0.53	2.55	2.90	1.80	1.61
-29	0.32	0.14	2.39	1.44	0.54	2.65	3.08	1.84	1.67
-28	0.34	0.14	2.47	1.52	0.55	2.75	3.26	1.88	1.73
-27	0.36	0.14	2.56	1.61	0.57	2.84	3.44	1.92	1.79
-26	0.38	0.14	2.63	1.69	0.58	2.93	3.62	1.96	1.85
-25	0.40	0.15	2.71	1.78	0.59	3.01	3.80	2.00	1.90
-24	0.41	0.15	2.74	1.83	0.60	3.05	3.92	2.04	1.92
-23	0.42	0.15	2.77	1.89	0.61	3.08	4.04	2.08	1.94
-22	0.44	0.16	2.80	1.94	0.63	3.11	4.16	2.12	1.96
-21	0.45	0.16	2.83	2.00	0.64	3.14	4.28	2.16	1.98
-20	0.46	0.16	2.85	2.06	0.65	3.17	4.40	2.20	2.00
-19	0.47	0.16	2.88	2.09	0.65	3.20	4.48	2.22	2.02
-18	0.48	0.17	2.90	2.13	0.66	3.23	4.56	2.24	2.04
-17	0.49	0.17	2.93	2.17	0.67	3.25	4.64	2.26	2.05
-16	0.50	0.17	2.95	2.21	0.67	3.28	4.72	2.28	2.07
-15	0.50	0.17	2.98	2.24	0.68	3.31	4.80	2.30	2.09
-14	0.53	0.17	3.02	2.34	0.70	3.36	5.00	2.36	2.12
-13	0.55	0.18	3.06	2.43	0.71	3.41	5.20	2.42	2.15
-12	0.57	0.18	3.11	2.52	0.73	3.45	5.40	2.48	2.18
-11	0.59	0.19	3.14	2.62	0.75	3.49	5.60	2.54	2.20
-10	0.61	0.19	3.18	2.71	0.77	3.54	5.80	2.60	2.23
-9	0.61	0.19	3.22	2.73	0.76	3.58	5.83	2.58	2.26
-8	0.62	0.19	3.26	2.74	0.76	3.62	5.87	2.57	2.29
-7	0.62	0.19	3.30	2.76	0.75	3.67	5.90	2.55	2.31
-6	0.62	0.19	3.34	2.77	0.75	3.71	5.93	2.53	2.34
-5	0.63	0.19	3.38	2.79	0.74	3.76	5.97	2.52	2.37
-4	0.63	0.18	3.42	2.81	0.74	3.80	6.00	2.50	2.40
-3	0.63	0.18	3.47	2.82	0.73	3.85	6.03	2.48	2.43
-2	0.64	0.18	3.51	2.84	0.73	3.90	6.07	2.47	2.46
-1	0.64	0.18	3.55	2.85	0.72	3.95	6.10	2.45	2.49
0	0.65	0.18	3.60	2.87	0.72	3.99	6.13	2.43	2.52
1	0.65	0.18	3.64	2.88	0.71	4.04	6.17	2.42	2.55
2	0.65	0.18	3.68	2.90	0.71	4.09	6.20	2.40	2.58
3	0.72	0.18	3.94	2.95	0.72	4.11	6.35	2.45	2.59
4	0.79	0.19	4.18	2.99	0.73	4.12	6.50	2.51	2.59
5	0.85	0.19	4.40	3.04	0.74	4.13	6.65	2.56	2.59
6	0.88	0.20	4.45	3.90	0.79	4.95	7.50	2.36	3.17
7	0.90	0.20	4.50	4.00	0.80	5.00	7.70	2.40	3.21
8	0.92	0.20	4.55	4.10	0.81	5.05	7.90	2.44	3.24
9	0.95	0.21	4.59	4.21	0.82	5.10	8.10	2.47	3.27
10	0.97	0.21	4.63	4.31	0.84	5.15	8.30	2.51	3.30
11	0.99	0.21	4.67	4.41	0.85	5.19	8.49	2.55	3.33
12	1.02	0.22	4.72	4.52	0.86	5.24	8.69	2.59	3.36
13	1.04	0.22	4.76	4.62	0.87	5.28	8.89	2.62	3.39
14	1.06	0.22	4.79	4.72	0.89	5.33	9.09	2.66	3.42
15	1.09	0.22	4.83	4.83	0.90	5.37	9.29	2.70	3.44
16	1.11	0.23	4.87	4.93	0.91	5.41	9.49	2.73	3.47
17	1.13	0.23	4.90	5.03	0.92	5.45	9.69	2.77	3.50
18	1.16	0.23	4.94	5.14	0.94	5.49	9.89	2.81	3.52
19	1.18	0.24	4.97	5.24	0.95	5.52	10.08	2.85	3.54
20	1.20	0.24	5.00	5.34	0.96	5.56	10.25	2.87	3.57
21	1.23	0.24	5.03	5.45	0.97	5.59	10.35	2.87	3.61
22	1.25	0.25	5.07	5.55	0.99	5.63	10.45	2.87	3.64
23	1.27	0.25	5.10	5.65	1.00	5.66	10.55	2.87	3.68
24	1.29	0.25	5.13	5.75	1.01	5.69	10.65	2.87	3.71



11. Accessories

Type	Model Name	Applicable FCU
Standard remote controller	WH-TA01LE	All model
Wireless adapter	RB-N103S-G	RAS-25 / 35E2KVPG-ND

TOSHIBA CARRIER (THAILAND) CO.,LTD.

144/9 Moo 5, Bangkadi Industrial Park, Tivanon Road, Tambol Bangkadi,
Amphur Muang, Pathumthani 12000, Thailand

Copyright © 2015 TOSHIBA CARRIER (THAILAND), All Rights Reserved

Notice : Toshiba is committed to continuously improving its products to ensure the highest quality and reliability standard, and to meet local regulations and market requirements. All features and specifications are subject to change without prior notice.
